

Leveling Feet

with Rubber Pad

SPECIFICATION

Types (Base plate)

- Type **B1**: Matte shot-blasted rubber, inlaid, black
- Type **B2**: Matte shot-blasted rubber, inlaid, white
- Type **B3**: Matte shot-blasted rubber, vulcanised, black
- Type **B4**: Matte shot-blasted rubber, vulcanised, white
- Type **C3**: Polished, rubber vulcanised, black
- Type **C4**: Polished, rubber vulcanised, white

Version

- Version **S**: Without nut, external hex at the bottom
- Version **SK**: With nut, external hex at the bottom
- Version **T**: Without nut, wrench flat at the bottom
- Version **TK**: With nut, wrench flat at the bottom
- Version **U**: Without nut, hex socket at the top and wrench flat at the bottom
- Version **UK**: With nut, hex socket at the top and wrench flat at the bottom
- Version **V**: Without nut, external hex at the top and wrench flat at the bottom
- Version **VK**: With nut, external hex at the top and wrench flat at the bottom
- Version **W**: With adjustable sleeve, covered thread, wrench flat at the bottom
- Version **X**: External hex with internal thread

Base plate

Stainless steel AISI 304

Threaded stem

Stainless steel AISI 303

Hex nut ISO 4032

Stainless steel AISI 304

Rubber pad, inlaid

- Black: NBR (Perbunan®)
80±5 Shore A

- White: TPE (Santoprene®)
80±5 Shore A

Rubber pad, vulcanised

80±5 Shore A

- Black: NBR (Perbunan®)
- White: NBR (Perbunan®)

INFORMATION

Leveling feet GN 31 with vulcanised rubber (Type B3, B4, C3 and C4) and screw version W feature fewer dead spots owing to their construction method and are also easier to clean.

Leveling feet GN 31 will be delivered mounted and are not removable.

TECHNICAL INFORMATION

- Elastomer Characteristics (see page A32)
- Stainless Steel Characteristics (see page A26)



LOAD RATING OF LEVELING FEET

Information

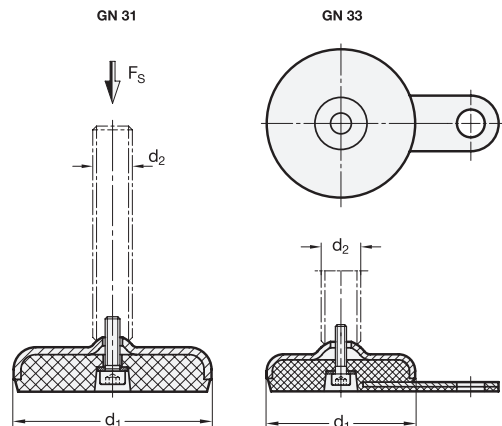
The static load bearing capacity given in the table rests on a test series in which the load has been applied perpendicular to the base plate (without rubber pad). For the values given in the table, the strain relief may result in minor deformations of the base plate.

Bending and buckling stress which often occurs in practice results in a lower load bearing capacity of the adjustment spindle and may have to be taken into account.

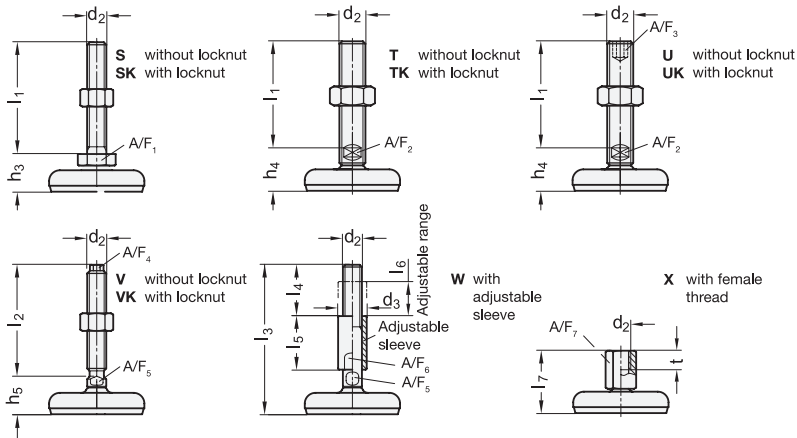
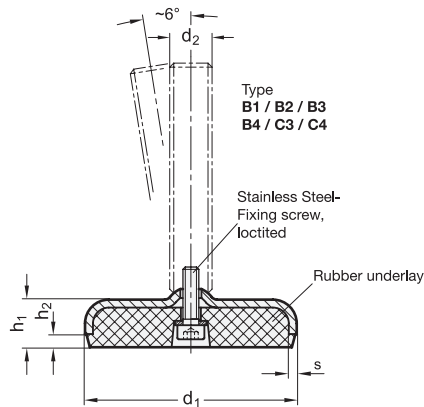
Also, the spindle strength is assumed to be $\geq 500 \text{ N/mm}^2$.

The details given on strength are nonbinding guide values without any liability. In general, they do not constitute a warranty of quality.

The user must determine from case to case if a product is suitable for the intended purpose or use. Environmental factors may influence the stated values.



Versions of threaded stem		
<p>S / SK: External hex at the bottom at d_2 M 8, M 10, M 12</p>	<p>T / TK: Wrench flat at the bottom at d_2 M 16, M 20, M 24, M 30</p>	<p>U / UK: Hex socket at the top and wrench flat at the bottom at d_2 M 16, M 20, M 24, M 30</p>
<p>V / VK: External hex at the top and wrench flat at the bottom at d_2 M 16, M 20, M 24</p>	<p>W: Covered thread and wrench flat at the bottom at d_2 M 16, M 20, M 24</p>	<p>X: External hex with internal thread at d_2 M 8, M 10, M 12, M 16, M 20</p>





Leveling elements 11

*Complete with version of the Leveling feet
(External hex at the bottom)

S without nut
SK with nut

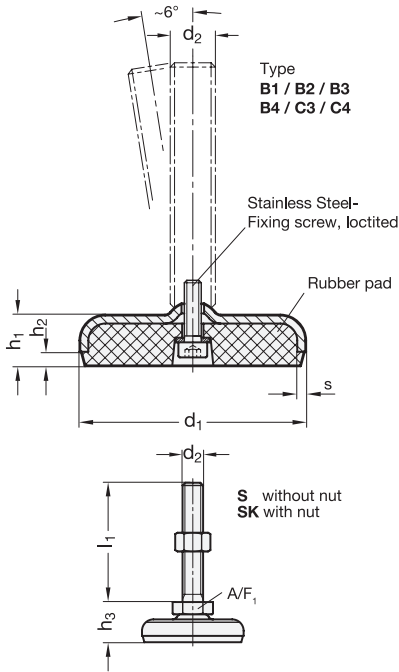
GN 31-S/SK STAINLESS STEEL

Description	d1	d2	l1	h1	h2	h3 +4	s	A/F1	Static load in kN	
GN 31-50-M8-40-B1-*	50	M 8	40	14.5	3.5	23	3	17	8	109
GN 31-50-M8-40-B2-*	50	M 8	40	14.5	3.5	23	3	17	8	100
GN 31-50-M8-50-B1-*	50	M 8	50	14.5	3.5	23	3	17	8	109
GN 31-50-M8-50-B2-*	50	M 8	50	14.5	3.5	23	3	17	8	105
GN 31-50-M8-63-B1-*	50	M 8	63	14.5	3.5	23	3	17	8	112
GN 31-50-M8-63-B2-*	50	M 8	63	14.5	3.5	23	3	17	8	110
GN 31-50-M10-50-B1-*	50	M 10	50	14.5	3.5	23	3	17	14	121
GN 31-50-M10-50-B2-*	50	M 10	50	14.5	3.5	23	3	17	14	115
GN 31-50-M10-60-B1-*	50	M 10	60	14.5	3.5	23	3	17	14	125
GN 31-50-M10-60-B2-*	50	M 10	60	14.5	3.5	23	3	17	14	117
GN 31-50-M10-80-B1-*	50	M 10	80	14.5	3.5	23	3	17	14	136
GN 31-50-M10-80-B2-*	50	M 10	80	14.5	3.5	23	3	17	14	130
GN 31-50-M10-100-B1-*	50	M 10	100	14.5	3.5	23	3	17	14	145
GN 31-50-M10-100-B2-*	50	M 10	100	14.5	3.5	23	3	17	14	140
GN 31-50-M12-60-B1-*	50	M 12	60	14.5	3.5	23	3	17	20	150
GN 31-50-M12-60-B2-*	50	M 12	60	14.5	3.5	23	3	17	20	145
GN 31-50-M12-80-B1-*	50	M 12	80	14.5	3.5	23	3	17	20	160
GN 31-50-M12-80-B2-*	50	M 12	80	14.5	3.5	23	3	17	20	155
GN 31-50-M12-100-B1-*	50	M 12	100	14.5	3.5	23	3	17	20	172
GN 31-50-M12-100-B2-*	50	M 12	100	14.5	3.5	23	3	17	20	167
GN 31-50-M12-125-B1-*	50	M 12	125	14.5	3.5	23	3	17	20	183
GN 31-50-M12-125-B2-*	50	M 12	125	14.5	3.5	23	3	17	20	180
GN 31-60-M8-40-B1-*	60	M 8	40	16	4	24	3	17	8	140
GN 31-60-M8-40-B2-*	60	M 8	40	16	4	24	3	17	8	130
GN 31-60-M8-40-B3-*	60	M 8	40	16	4	24	3	17	8	144
GN 31-60-M8-40-B4-*	60	M 8	40	16	4	24	3	17	8	144
GN 31-60-M8-40-C3-*	60	M 8	40	16	4	24	3	17	8	144
GN 31-60-M8-40-C4-*	60	M 8	40	16	4	24	3	17	8	144
GN 31-60-M8-50-B1-*	60	M 8	50	16	4	24	3	17	8	144
GN 31-60-M8-50-B2-*	60	M 8	50	16	4	24	3	17	8	140
GN 31-60-M8-50-B3-*	60	M 8	50	16	4	24	3	17	8	144
GN 31-60-M8-50-B4-*	60	M 8	50	16	4	24	3	17	8	144
GN 31-60-M8-50-C3-*	60	M 8	50	16	4	24	3	17	8	144
GN 31-60-M8-50-C4-*	60	M 8	50	16	4	24	3	17	8	144
GN 31-60-M10-50-B1-*	60	M 10	50	16	4	24	3	17	14	160
GN 31-60-M10-50-B2-*	60	M 10	50	16	4	24	3	17	14	150
GN 31-60-M10-50-B3-*	60	M 10	50	16	4	24	3	17	14	160
GN 31-60-M10-50-B4-*	60	M 10	50	16	4	24	3	17	14	160
GN 31-60-M10-50-C3-*	60	M 10	50	16	4	24	3	17	14	170
GN 31-60-M10-50-C4-*	60	M 10	50	16	4	24	3	17	14	160
GN 31-60-M10-60-B1-*	60	M 10	60	16	4	24	3	17	14	170
GN 31-60-M10-60-B2-*	60	M 10	60	16	4	24	3	17	14	170
GN 31-60-M10-60-B3-*	60	M 10	60	16	4	24	3	17	14	170
GN 31-60-M10-60-B4-*	60	M 10	60	16	4	24	3	17	14	170
GN 31-60-M10-60-C3-*	60	M 10	60	16	4	24	3	17	14	180
GN 31-60-M10-60-C4-*	60	M 10	60	16	4	24	3	17	14	160
GN 31-60-M10-80-B1-*	60	M 10	80	16	4	24	3	17	14	180
GN 31-60-M10-80-B2-*	60	M 10	80	16	4	24	3	17	14	180
GN 31-60-M10-80-B3-*	60	M 10	80	16	4	24	3	17	14	180
GN 31-60-M10-80-B4-*	60	M 10	80	16	4	24	3	17	14	180
GN 31-60-M10-80-C3-*	60	M 10	80	16	4	24	3	17	14	190
GN 31-60-M10-80-C4-*	60	M 10	80	16	4	24	3	17	14	170

GN 31-S/SK STAINLESS STEEL

Description	d1	d2	l1	h1	h2	h3 +4	s	A/F1	Static load in kN	
GN 31-60-M10-100-B1-*	60	M 10	100	16	4	24	3	17	14	190
GN 31-60-M10-100-B2-*	60	M 10	100	16	4	24	3	17	14	190
GN 31-60-M10-100-B3-*	60	M 10	100	16	4	24	3	17	14	190
GN 31-60-M10-100-B4-*	60	M 10	100	16	4	24	3	17	14	190
GN 31-60-M10-100-C3-*	60	M 10	100	16	4	24	3	17	14	181
GN 31-60-M10-100-C4-*	60	M 10	100	16	4	26	3	17	14	175
GN 31-60-M12-60-B1-*	60	M 12	60	16	4	24	3	17	20	181
GN 31-60-M12-60-B2-*	60	M 12	60	16	4	24	3	17	20	181
GN 31-60-M12-60-B3-*	60	M 12	60	16	4	24	3	17	20	181
GN 31-60-M12-60-B4-*	60	M 12	60	16	4	24	3	17	20	181
GN 31-60-M12-60-C3-*	60	M 12	60	16	4	24	3	17	20	200
GN 31-60-M12-60-C4-*	60	M 12	60	16	4	24	3	17	20	181
GN 31-60-M12-80-B1-*	60	M 12	80	16	4	24	3	17	20	200
GN 31-60-M12-80-B2-*	60	M 12	80	16	4	24	3	17	20	200
GN 31-60-M12-80-B3-*	60	M 12	80	16	4	24	3	17	20	200
GN 31-60-M12-80-B4-*	60	M 12	80	16	4	24	3	17	20	200
GN 31-60-M12-80-C3-*	60	M 12	80	16	4	24	3	17	20	220
GN 31-60-M12-80-C4-*	60	M 12	80	16	4	24	3	17	20	200
GN 31-60-M12-100-B1-*	60	M 12	100	16	4	24	3	17	20	220
GN 31-60-M12-100-B2-*	60	M 12	100	16	4	24	3	17	20	220
GN 31-60-M12-100-B3-*	60	M 12	100	16	4	24	3	17	20	220
GN 31-60-M12-100-B4-*	60	M 12	100	16	4	24	3	17	20	220
GN 31-60-M12-100-C3-*	60	M 12	100	16	4	24	3	17	20	230
GN 31-60-M12-100-C4-*	60	M 12	100	16	4	24	3	17	20	230
GN 31-60-M12-125-B1-*	60	M 12	125	16	4	24	3	17	20	230
GN 31-60-M12-125-B2-*	60	M 12	125	16	4	24	3	17	20	230
GN 31-60-M12-125-B3-*	60	M 12	125	16	4	24	3	17	20	230
GN 31-60-M12-125-B4-*	60	M 12	125	16	4	24	3	17	20	230
GN 31-60-M12-125-C3-*	60	M 12	125	18	5	24	3	17	20	172
GN 31-60-M12-125-C4-*	60	M 12	125	18	5	24	3	17	20	160
GN 31-80-M8-40-B1-*	80	M 8	40	18	5	26	3	17	8	172
GN 31-80-M8-40-B2-*	80	M 8	40	18	5	26	3	17	8	172
GN 31-80-M8-40-B3-*	80	M 8	40	18	5	26	3	17	8	172
GN 31-80-M8-40-B4-*	80	M 8	40	18	5	26	3	17	8	173
GN 31-80-M8-40-C3-*	80	M 8	40	18	5	26	3	17	8	176
GN 31-80-M8-40-C4-*	80	M 8	40	18	5	26	3	17	8	176
GN 31-80-M8-50-B1-*	80	M 8	50	18	5	26	3	17	8	176
GN 31-80-M8-50-B2-*	80	M 8	50	18	5	26	3	17	8	176
GN 31-80-M8-50-B3-*	80	M 8	50	18	5	26	3	17	8	176
GN 31-80-M8-50-B4-*	80	M 8	50	18	5	26	3	17	8	176
GN 31-80-M8-50-C3-*	80	M 8	50	18	5	26	3	17	8	180
GN 31-80-M8-50-C4-*	80	M 8	50	18	5	26	3	17	8	175
GN 31-80-M8-63-B1-*	80	M 8	63	18	5	26	3	17	8	180
GN 31-80-M8-63-B2-*	80	M 8	63	18	5	26	3	17	8	180
GN 31-80-M8-63-B3-*	80	M 8	63	18	5	26	3	17	8	180
GN 31-80-M8-63-B4-*	80	M 8	63	18	5	26	3	17	8	180
GN 31-80-M8-63-C3-*	80	M 8	63	18	5	26	3	17	8	220
GN 31-80-M8-63-C4-*	80	M 8	63	18	5	26	3	17	8	200
GN 31-80-M10-50-B1-*	80	M 10	50	18	5	26	3	17	14	220
GN 31-80-M10-50-B2-*	80	M 10	50	18	5	26	3	17	14	220
GN 31-80-M10-50-B3-*	80	M 10	50	18	5	26	3	17	14	220
GN 31-80-M10-50-B4-*	80	M 10	50	18	5	26	3	17	14	220
GN 31-80-M10-50-C3-*	80	M 10	50	18	5	26	3	17	14	260
GN 31-80-M10-50-C4-*	80	M 10	50	18	5	26	3	17	14	240
GN 31-80-M10-60-B1-*	80	M 10	60	18	5	26	3	17	14	260
GN 31-80-M10-60-B2-*	80	M 10	60	18	5	26	3	17	14	260
GN 31-80-M10-60-B3-*	80	M 10	60	18	5	26	3	17	14	260
GN 31-80-M10-60-B4-*	80	M 10	60	18	5	26	3	17	14	260
GN 31-80-M10-60-C3-*	80	M 10	60	18	5	26	3	17	14	280
GN 31-80-M10-60-C4-*	80	M 10	60	18	5	26	3	17	14	260
GN 31-80-M10-80-B1-*	80	M 10	80	18	5	26	3	17	14	280
GN 31-80-M10-80-B2-*	80	M 10	80	18	5	26	3	17	14	280
GN 31-80-M10-80-B3-*	80	M 10	80	18	5	26	3	17	14	280
GN 31-80-M10-80-B4-*	80	M 10	80	18	5	26	3	17	14	280
GN 31-80-M10-80-C3-*	80	M 10	80	18	5	26	3	17	14	290
GN 31-80-M10-80-C4-*	80	M 10	80	18	5	26	3	17	14	280

Weight version S



* Complete with version of the Leveling feet (External hex at the bottom)

S without nut
SK with nut

GN 31-S/SK

STAINLESS STEEL

Description	d1	d2	l1	h1	h2	h3 +4	s	A/F1	Static load in kN	⚖️
GN 31-80-M10-100-B1-*	80	M 10	100	18	5	26	3	17	14	290
GN 31-80-M10-100-B2-*	80	M 10	100	18	5	26	3	17	14	290
GN 31-80-M10-100-B3-*	80	M 10	100	18	5	26	3	17	14	290
GN 31-80-M10-100-B4-*	80	M 10	100	18	5	26	3	17	14	290
GN 31-80-M10-100-C3-*	80	M 10	100	18	5	26	3	17	14	300
GN 31-80-M10-100-C4-*	80	M 10	100	18	5	26	3	17	14	295
GN 31-80-M12-60-B1-*	80	M 12	60	18	5	26	3	17	19	300
GN 31-80-M12-60-B2-*	80	M 12	60	18	5	26	3	17	15	300
GN 31-80-M12-60-B3-*	80	M 12	60	18	5	26	3	17	19	300
GN 31-80-M12-60-B4-*	80	M 12	60	18	5	26	3	17	15	300
GN 31-80-M12-60-C3-*	80	M 12	60	18	5	26	3	17	19	320
GN 31-80-M12-60-C4-*	80	M 12	60	18	5	26	3	17	15	300
GN 31-80-M12-80-B1-*	80	M 12	80	18	5	26	3	17	19	320
GN 31-80-M12-80-B2-*	80	M 12	80	18	5	26	3	17	15	320
GN 31-80-M12-80-B3-*	80	M 12	80	18	5	26	3	17	19	320
GN 31-80-M12-80-B4-*	80	M 12	80	18	5	26	3	17	15	320
GN 31-80-M12-80-C3-*	80	M 12	80	18	5	26	3	17	19	330
GN 31-80-M12-80-C4-*	80	M 12	80	18	5	26	3	17	15	325
GN 31-80-M12-100-B1-*	80	M 12	100	18	5	26	3	17	19	330
GN 31-80-M12-100-B2-*	80	M 12	100	18	5	26	3	17	15	330
GN 31-80-M12-100-B3-*	80	M 12	100	18	5	26	3	17	19	330
GN 31-80-M12-100-B4-*	80	M 12	100	18	5	26	3	17	15	330
GN 31-80-M12-100-C3-*	80	M 12	100	18	5	26	3	17	19	350
GN 31-80-M12-100-C4-*	80	M 12	100	18	5	26	3	17	15	340
GN 31-80-M12-125-B1-*	80	M 12	125	18	5	26	3	17	19	350
GN 31-80-M12-125-B2-*	80	M 12	125	18	5	26	3	17	15	350
GN 31-80-M12-125-B3-*	80	M 12	125	18	5	26	3	17	19	350
GN 31-80-M12-125-B4-*	80	M 12	125	18	5	26	3	17	15	350
GN 31-80-M12-125-C3-*	80	M 12	125	20	6	28	3	17	19	290
GN 31-80-M12-125-C4-*	80	M 12	125	20	6	28	3	17	15	280
GN 31-100-M8-40-B1-*	100	M 8	40	20	6	28	3	17	8	290

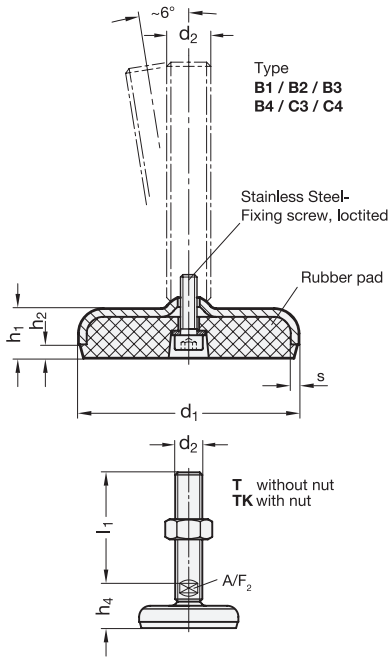
GN 31-S/SK

STAINLESS STEEL

Description	d1	d2	l1	h1	h2	h3 +4	s	A/F1	Static load in kN	⚖️
GN 31-100-M8-40-B2-*	100	M 8	40	20	6	28	3	17	8	290
GN 31-100-M8-40-B3-*	100	M 8	40	20	6	28	3	17	8	280
GN 31-100-M8-40-B4-*	100	M 8	40	20	6	28	3	17	8	290
GN 31-100-M8-40-C3-*	100	M 8	40	20	6	28	3	17	8	290
GN 31-100-M8-40-C4-*	100	M 8	40	20	6	28	3	17	8	290
GN 31-100-M8-50-B1-*	100	M 8	50	20	6	28	3	17	8	290
GN 31-100-M8-50-B2-*	100	M 8	50	20	6	28	3	17	8	548
GN 31-100-M8-50-B3-*	100	M 8	50	20	6	28	3	17	8	300
GN 31-100-M8-50-B4-*	100	M 8	50	20	6	28	3	17	8	290
GN 31-100-M8-50-C3-*	100	M 8	50	20	6	28	3	17	8	300
GN 31-100-M8-50-C4-*	100	M 8	50	20	6	28	3	17	8	300
GN 31-100-M8-63-B1-*	100	M 8	63	20	6	28	3	17	8	300
GN 31-100-M8-63-B2-*	100	M 8	63	20	6	28	3	17	8	340
GN 31-100-M8-63-B3-*	100	M 8	63	20	6	28	3	17	8	320
GN 31-100-M8-63-B4-*	100	M 8	63	20	6	28	3	17	8	340
GN 31-100-M8-63-C3-*	100	M 8	63	20	6	28	3	17	8	340
GN 31-100-M8-63-C4-*	100	M 8	63	20	6	28	3	17	8	340
GN 31-100-M10-50-B1-*	100	M 10	50	20	6	28	3	17	14	340
GN 31-100-M10-50-B2-*	100	M 10	50	20	6	28	3	17	14	390
GN 31-100-M10-50-B3-*	100	M 10	50	20	6	28	3	17	14	380
GN 31-100-M10-50-B4-*	100	M 10	50	20	6	28	3	17	14	390
GN 31-100-M10-50-C3-*	100	M 10	50	20	6	28	3	17	14	390
GN 31-100-M10-50-C4-*	100	M 10	50	20	6	28	3	17	14	390
GN 31-100-M10-60-B1-*	100	M 10	60	20	6	28	3	17	14	390
GN 31-100-M10-60-B2-*	100	M 10	60	20	6	28	3	17	14	420
GN 31-100-M10-60-B3-*	100	M 10	60	20	6	28	3	17	14	400
GN 31-100-M10-60-B4-*	100	M 10	60	20	6	28	3	17	14	420
GN 31-100-M10-60-C3-*	100	M 10	60	20	6	28	3	17	14	420
GN 31-100-M10-60-C4-*	100	M 10	60	20	6	28	3	17	14	420
GN 31-100-M10-80-B1-*	100	M 10	80	20	6	28	3	17	14	420
GN 31-100-M10-80-B2-*	100	M 10	80	20	6	28	3	17	14	450
GN 31-100-M10-80-B3-*	100	M 10	80	20	6	28	3	17	14	420
GN 31-100-M10-80-B4-*	100	M 10	80	20	6	28	3	17	14	450
GN 31-100-M10-80-C3-*	100	M 10	80	20	6	28	3	17	14	450
GN 31-100-M10-80-C4-*	100	M 10	80	20	6	28	3	17	14	450
GN 31-100-M10-100-B1-*	100	M 10	100	20	6	28	3	17	14	450
GN 31-100-M10-100-B2-*	100	M 10	100	20	6	28	3	17	14	470
GN 31-100-M10-100-B3-*	100	M 10	100	20	6	28	3	17	14	460
GN 31-100-M10-100-B4-*	100	M 10	100	20	6	28	3	17	14	470
GN 31-100-M10-100-C3-*	100	M 10	100	20	6	28	3	17	14	470
GN 31-100-M10-100-C4-*	100	M 10	100	20	6	28	3	17	14	470
GN 31-100-M12-60-B1-*	100	M 12	60	20	6	28	3	17	17	470
GN 31-100-M12-60-B2-*	100	M 12	60	20	6	28	3	17	14	420
GN 31-100-M12-60-B3-*	100	M 12	60	20	6	28	3	17	17	400
GN 31-100-M12-60-B4-*	100	M 12	60	20	6	28	3	17	14	420
GN 31-100-M12-60-C3-*	100	M 12	60	20	6	28	3	17	17	420
GN 31-100-M12-60-C4-*	100	M 12	60	20	6	28	3	17	17	420
GN 31-100-M12-80-B1-*	100	M 12	80	20	6	28	3	17	17	420
GN 31-100-M12-80-B2-*	100	M 12	80	20	6	28	3	17	17	440
GN 31-100-M12-80-B3-*	100	M 12	80	20	6	28	3	17	14	440
GN 31-100-M12-80-B4-*	100	M 12	80	20	6	28	3	17	14	440
GN 31-100-M12-80-C3-*	100	M 12	80	20	6	28	3	17	17	440
GN 31-100-M12-80-C4-*	100	M 12	80	20	6	28	3	17	17	440
GN 31-100-M12-100-B1-*	100	M 12	100	20	6	28	3	17	17	440
GN 31-100-M12-100-B2-*	100	M 12	100	20	6	28	3	17	14	460
GN 31-100-M12-100-B3-*	100	M 12	100	20	6	28	3	17	17	445
GN 31-100-M12-100-B4-*	100	M 12	100	20	6	28	3	17	14	460
GN 31-100-M12-100-C3-*	100	M 12	100	20	6	28	3	17	17	460
GN 31-100-M12-100-C4-*	100	M 12	100	20	6	28	3	17	14	460
GN 31-100-M12-125-B1-*	100	M 12	125	20	6	28	3	17	17	460
GN 31-100-M12-125-B2-*	100	M 12	125	20	6	28	3	17	14	540
GN 31-100-M12-125-B3-*	100	M 12	125	20	6	28	3	17	17	520
GN 31-100-M12-125-B4-*	100	M 12	125	20	6	28	3	17	14	540
GN 31-100-M12-125-C3-*	100	M 12	125	20	6	6	3	17	17	540
GN 31-100-M12-125-C4-*	100	M 12	125	20	6	6	3	17	17	540

Weight version S





* Complete with version of the Leveling feet (Wrench flat at the bottom)

T TK

GN 31-T/TK

STAINLESS STEEL

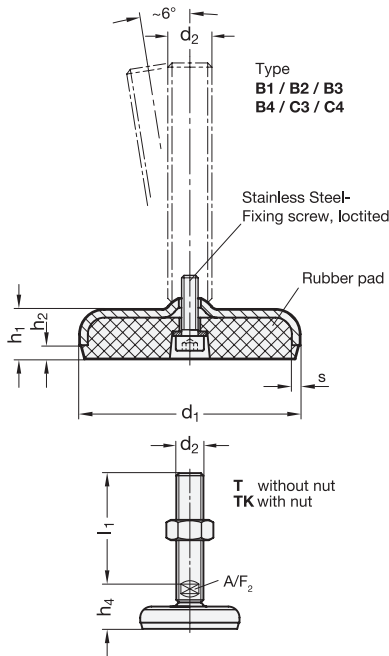
Description	d1	d2	l1	h1	h2	h4 +4	s	A/F2	Static load in kN	
GN 31-50-M16-75-B1-*	50	M 16	75	16	3.5	29	3	12	28	199
GN 31-50-M16-75-B2-*	50	M 16	75	16	3.5	29	3	12	28	190
GN 31-50-M16-100-B1-*	50	M 16	100	16	3.5	29	3	12	28	199
GN 31-50-M16-100-B2-*	50	M 16	100	16	3.5	29	3	12	28	199
GN 31-50-M16-125-B1-*	50	M 16	125	16	3.5	29	3	12	28	215
GN 31-50-M16-125-B2-*	50	M 16	125	16	3.5	29	3	12	28	205
GN 31-50-M16-150-B1-*	50	M 16	150	16	3.5	29	3	12	28	240
GN 31-50-M16-150-B2-*	50	M 16	150	16	3.5	29	3	12	28	230
GN 31-50-M16-200-B1-*	50	M 16	200	16	3.5	29	3	12	28	260
GN 31-50-M16-200-B2-*	50	M 16	200	16	3.5	29	3	12	28	250
GN 31-50-M16-250-B1-*	50	M 16	250	14.5	3.5	50	3	12	28	240
GN 31-50-M16-250-B2-*	50	M 16	250	14.5	3.5	50	3	12	28	230
GN 31-60-M16-75-B1-*	60	M 16	50	14.5	3.5	30	3	12	28	240
GN 31-60-M16-75-B2-*	60	M 16	75	16	4	30	3	12	25	230
GN 31-60-M16-75-B3-*	60	M 16	75	16	4	30	3	12	28	290
GN 31-60-M16-75-B4-*	60	M 16	75	16	4	30	3	12	25	280
GN 31-60-M16-75-C3-*	60	M 16	75	16	4	30	3	12	28	290
GN 31-60-M16-75-C4-*	60	M 16	75	16	4	30	3	12	25	280
GN 31-60-M16-100-B1-*	60	M 16	100	16	4	30	3	12	28	310
GN 31-60-M16-100-B2-*	60	M 16	100	16	4	30	3	12	25	300
GN 31-60-M16-100-B3-*	60	M 16	100	16	4	30	3	12	28	310
GN 31-60-M16-100-B4-*	60	M 16	100	16	4	30	3	12	25	310
GN 31-60-M16-100-C3-*	60	M 16	100	16	4	30	3	12	28	310
GN 31-60-M16-100-C4-*	60	M 16	100	16	4	30	3	12	25	310
GN 31-60-M16-125-B1-*	60	M 16	125	16	4	30	3	12	28	320
GN 31-60-M16-125-B2-*	60	M 16	125	16	4	30	3	12	25	306
GN 31-60-M16-125-B3-*	60	M 16	125	16	4	30	3	12	28	320
GN 31-60-M16-125-B4-*	60	M 16	125	16	4	30	3	12	25	320
GN 31-60-M16-125-C3-*	60	M 16	125	16	4	30	3	12	28	320
GN 31-60-M16-125-C4-*	60	M 16	125	16	4	30	3	12	25	320

GN 31-T/TK

STAINLESS STEEL

Description	d1	d2	l1	h1	h2	h4 +4	s	A/F2	Static load in kN	
GN 31-60-M16-150-B1-*	60	M 16	150	16	4	30	3	12	28	330
GN 31-60-M16-150-B2-*	60	M 16	150	16	4	30	3	12	25	320
GN 31-60-M16-150-B3-*	60	M 16	150	16	4	30	3	12	28	330
GN 31-60-M16-150-B4-*	60	M 16	150	16	4	30	3	12	25	330
GN 31-60-M16-150-C3-*	60	M 16	150	16	4	30	3	12	28	330
GN 31-60-M16-150-C4-*	60	M 16	150	16	4	30	3	12	25	330
GN 31-60-M16-200-B1-*	60	M 16	200	16	4	30	3	12	28	360
GN 31-60-M16-200-B2-*	60	M 16	200	16	4	30	3	12	25	350
GN 31-60-M16-200-B3-*	60	M 16	200	16	4	30	3	12	28	360
GN 31-60-M16-200-B4-*	60	M 16	200	16	4	30	3	12	25	360
GN 31-60-M16-200-C3-*	60	M 16	200	16	4	30	3	12	28	360
GN 31-60-M16-200-C4-*	60	M 16	200	16	4	30	3	12	25	360
GN 31-60-M16-250-B1-*	60	M 16	250	16	4	30	3	12	28	464
GN 31-60-M16-250-B2-*	60	M 16	250	16	4	30	3	12	25	445
GN 31-60-M16-250-B3-*	60	M 16	250	16	4	30	3	12	28	458
GN 31-60-M16-250-B4-*	60	M 16	250	16	4	30	3	12	25	466
GN 31-60-M16-250-C3-*	60	M 16	250	16	4	30	3	12	28	456
GN 31-60-M16-250-C4-*	60	M 16	250	16	4	30	3	12	25	465
GN 31-80-M16-75-B1-*	80	M 16	75	18	5	32	3	12	19	340
GN 31-80-M16-75-B2-*	80	M 16	75	18	5	32	3	12	15	330
GN 31-80-M16-75-B3-*	80	M 16	75	18	5	32	3	12	19	340
GN 31-80-M16-75-B4-*	80	M 16	75	18	5	32	3	12	15	340
GN 31-80-M16-75-C3-*	80	M 16	75	18	5	32	3	12	19	340
GN 31-80-M16-75-C4-*	80	M 16	75	18	5	32	3	12	15	340
GN 31-80-M16-100-B1-*	80	M 16	100	18	5	32	3	12	19	386
GN 31-80-M16-100-B2-*	80	M 16	100	18	5	32	3	12	15	380
GN 31-80-M16-100-B3-*	80	M 16	100	18	5	32	3	12	19	386
GN 31-80-M16-100-B4-*	80	M 16	100	18	5	32	3	12	15	386
GN 31-80-M16-100-C3-*	80	M 16	100	18	5	32	3	12	19	386
GN 31-80-M16-100-C4-*	80	M 16	100	18	5	32	3	12	15	386
GN 31-80-M16-125-B1-*	80	M 16	125	18	5	32	3	12	19	400
GN 31-80-M16-125-B2-*	80	M 16	125	18	5	32	3	12	15	390
GN 31-80-M16-125-B3-*	80	M 16	125	18	5	32	3	12	19	400
GN 31-80-M16-125-B4-*	80	M 16	125	18	5	32	3	12	15	400
GN 31-80-M16-125-C3-*	80	M 16	125	18	5	32	3	12	19	400
GN 31-80-M16-150-B2-*	80	M 16	150	18	5	32	3	12	15	420
GN 31-80-M16-150-B3-*	80	M 16	150	18	5	32	3	12	19	440
GN 31-80-M16-150-B4-*	80	M 16	150	18	5	32	3	12	15	440
GN 31-80-M16-150-C3-*	80	M 16	150	18	5	32	3	12	19	440
GN 31-80-M16-150-C4-*	80	M 16	150	18	5	32	3	12	15	440
GN 31-80-M16-200-B1-*	80	M 16	200	18	5	32	3	12	19	500
GN 31-80-M16-200-B2-*	80	M 16	200	18	5	32	3	12	15	490
GN 31-80-M16-200-B3-*	80	M 16	200	18	5	32	3	12	19	500
GN 31-80-M16-200-B4-*	80	M 16	200	18	5	32	3	12	15	500
GN 31-80-M16-200-C3-*	80	M 16	200	18	5	32	3	12	19	500
GN 31-80-M16-200-C4-*	80	M 16	200	18	5	32	3	12	15	500
GN 31-80-M16-250-B1-*	80	M 16	250	18	5	32	3	12	19	848
GN 31-80-M16-250-B2-*	80	M 16	250	18	5	32	3	12	15	781
GN 31-80-M16-250-B3-*	80	M 16	250	18	5	32	3	12	19	831
GN 31-80-M16-250-B4-*	80	M 16	250	18	5	32	3	12	15	721
GN 31-80-M16-250-C3-*	80	M 16	250	18	5	32	3	12	19	852
GN 31-80-M16-250-C4-*	80	M 16	250	18	5	32	3	12	15	711
GN 31-80-M20-75-B1-*	80	M 20	75	18	5	33	3	15	19	440
GN 31-80-M20-75-B2-*	80	M 20	75	18	5	33	3	15	15	430
GN 31-80-M20-75-B3-*	80	M 20	75	18	5	33	3	15	19	440
GN 31-80-M20-75-B4-*	80	M 20	75	18	5	33	3	15	15	440
GN 31-80-M20-75-C3-*	80	M 20	75	18	5	33	3	15	19	440
GN 31-80-M20-75-C4-*	80	M 20	75	18	5	33	3	15	15	440
GN 31-80-M20-100-B1-*	80	M 20	100	18	5	33	3	15	19	460

Weight version T



* Complete with version of the Leveling feet (Wrench flat at the bottom)

T without nut
TK with nut

GN 31-T/TK STAINLESS STEEL

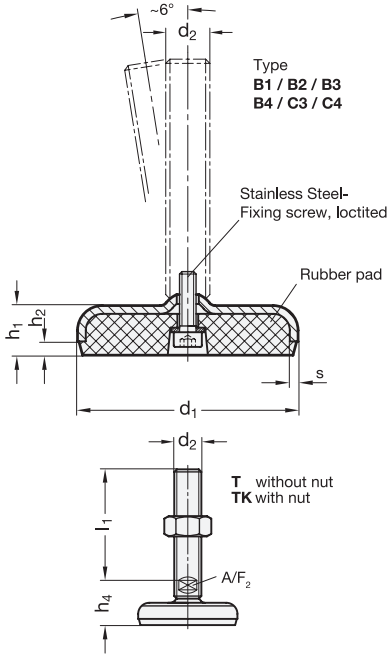
Description	d1	d2	l1	h1	h2	h4 +4	s	A/F2	Static load in kN	⚖️
GN 31-80-M20-100-B2-*	80	M 20	100	18	5	33	3	15	15	450
GN 31-80-M20-100-B3-*	80	M 20	100	18	5	33	3	15	19	460
GN 31-80-M20-100-B4-*	80	M 20	100	18	5	33	3	15	19	460
GN 31-80-M16-125-C4-*	80	M 16	125	18	5	32	3	12	15	400
GN 31-80-M16-150-B1-*	80	M 16	150	18	5	32	3	12	19	440
GN 31-80-M20-100-B4-*	80	M 20	100	18	5	33	3	15	15	460
GN 31-80-M20-100-C3-*	80	M 20	100	18	5	33	3	15	19	460
GN 31-80-M20-100-C4-*	80	M 20	100	18	5	33	3	15	15	460
GN 31-80-M20-125-B1-*	80	M 20	125	18	5	33	3	15	19	570
GN 31-80-M20-125-B2-*	80	M 20	125	18	5	33	3	15	15	500
GN 31-80-M20-125-B3-*	80	M 20	125	18	5	33	3	15	19	570
GN 31-80-M20-125-B4-*	80	M 20	125	18	5	33	3	15	15	570
GN 31-80-M20-125-C3-*	80	M 20	125	18	5	33	3	15	19	570
GN 31-80-M20-125-C4-*	80	M 20	125	18	5	33	3	15	15	570
GN 31-80-M20-150-B1-*	80	M 20	150	18	5	33	3	15	19	580
GN 31-80-M20-150-B2-*	80	M 20	150	18	5	33	3	15	15	570
GN 31-80-M20-150-B3-*	80	M 20	150	18	5	33	3	15	19	580
GN 31-80-M20-150-B4-*	80	M 20	150	18	5	33	3	15	15	580
GN 31-80-M20-150-C3-*	80	M 20	150	18	5	33	3	15	19	580
GN 31-80-M20-150-C4-*	80	M 20	150	18	5	33	3	15	15	580
GN 31-80-M20-200-B1-*	80	M 20	200	18	5	33	3	15	19	669
GN 31-80-M20-200-B2-*	80	M 20	200	18	5	33	3	15	15	650
GN 31-80-M20-200-B3-*	80	M 20	200	18	5	33	3	15	19	669
GN 31-80-M20-200-B4-*	80	M 20	200	18	5	33	3	15	15	669
GN 31-80-M20-200-C3-*	80	M 20	200	18	5	33	3	15	19	669
GN 31-80-M20-200-C4-*	80	M 20	200	18	5	33	3	15	15	669
GN 31-80-M20-250-B1-*	80	M 20	250	18	5	33	3	12	19	783
GN 31-80-M20-250-B2-*	80	M 20	250	18	5	33	3	12	15	740

GN 31-T/TK STAINLESS STEEL

Description	d1	d2	l1	h1	h2	h4 +4	s	A/F2	Static load in kN	⚖️
GN 31-80-M20-250-B3-*	80	M 20	250	18	5	33	3	12	19	754
GN 31-80-M20-250-B4-*	80	M 20	250	18	5	33	3	12	15	770
GN 31-80-M20-250-C3-*	80	M 20	250	18	5	33	3	12	19	756
GN 31-80-M20-250-C4-*	80	M 20	250	18	5	33	3	12	15	769
GN 31-80-M24-100-B1-*	80	M 24	100	18	5	36	3	19	19	579
GN 31-80-M24-100-B2-*	80	M 24	100	18	5	36	3	19	15	570
GN 31-80-M24-100-B3-*	80	M 24	100	18	5	36	3	19	19	579
GN 31-80-M24-100-B4-*	80	M 24	100	18	5	36	3	19	15	579
GN 31-80-M24-100-C3-*	80	M 24	100	18	5	36	3	19	19	579
GN 31-80-M24-100-C4-*	80	M 24	100	18	5	36	3	19	15	579
GN 31-80-M24-125-B1-*	80	M 24	125	18	5	36	3	19	19	701
GN 31-80-M24-125-B2-*	80	M 24	125	18	5	36	3	19	15	657
GN 31-80-M24-125-B3-*	80	M 24	125	18	5	36	3	19	19	701
GN 31-80-M24-125-B4-*	80	M 24	125	18	5	36	3	19	15	701
GN 31-80-M24-125-C3-*	80	M 24	125	18	5	36	3	19	19	574
GN 31-80-M24-125-C4-*	80	M 24	125	18	5	36	3	19	15	701
GN 31-80-M24-150-B1-*	80	M 24	150	18	5	36	3	19	19	710
GN 31-80-M24-150-B2-*	80	M 24	150	18	5	36	3	19	15	657
GN 31-80-M24-150-B3-*	80	M 24	150	18	5	36	3	19	19	710
GN 31-80-M24-150-B4-*	80	M 24	150	18	5	36	3	19	15	710
GN 31-80-M24-150-C3-*	80	M 24	150	18	5	36	3	19	19	710
GN 31-80-M24-150-C4-*	80	M 24	150	18	5	36	3	19	15	710
GN 31-80-M24-200-B1-*	80	M 24	200	18	5	36	3	19	19	730
GN 31-80-M24-200-B2-*	80	M 24	200	18	5	36	3	19	15	700
GN 31-80-M24-200-B3-*	80	M 24	200	18	5	36	3	19	19	730
GN 31-80-M24-200-B4-*	80	M 24	200	18	5	36	3	19	15	730
GN 31-80-M24-200-C3-*	80	M 24	200	18	5	36	3	19	19	730
GN 31-80-M24-200-C4-*	80	M 24	200	18	5	36	3	19	15	730
GN 31-80-M24-300-B1-*	80	M 24	300	18	5	36	3	19	19	836
GN 31-80-M24-300-B2-*	80	M 24	300	18	5	36	3	19	19	793
GN 31-80-M24-300-B3-*	80	M 24	300	18	5	36	3	19	19	807
GN 31-80-M24-300-B4-*	80	M 24	300	18	5	36	3	19	19	823
GN 31-80-M24-300-C3-*	80	M 24	300	18	5	36	3	19	19	809
GN 31-80-M24-300-C4-*	80	M 24	300	18	5	36	3	19	19	822
GN 31-100-M16-75-B1-*	100	M 16	75	20	6	34	3	12	17	483
GN 31-100-M16-75-B2-*	100	M 16	75	20	6	34	3	12	14	360
GN 31-100-M16-75-B3-*	100	M 16	75	20	6	34	3	12	17	483
GN 31-100-M16-75-B4-*	100	M 16	75	20	6	34	3	12	14	483
GN 31-100-M16-75-C3-*	100	M 16	75	20	6	34	3	12	17	483
GN 31-100-M16-75-C4-*	100	M 16	75	20	6	34	3	12	14	483
GN 31-100-M16-100-B1-*	100	M 16	100	20	6	34	3	12	17	520
GN 31-100-M16-100-B2-*	100	M 16	100	20	6	34	3	12	14	480
GN 31-100-M16-100-B3-*	100	M 16	100	20	6	34	3	12	17	520
GN 31-100-M16-100-B4-*	100	M 16	100	20	6	34	3	12	14	520
GN 31-100-M16-100-C3-*	100	M 16	100	20	6	34	3	12	17	520
GN 31-100-M16-100-C4-*	100	M 16	100	20	6	34	3	12	14	520
GN 31-100-M16-125-B1-*	100	M 16	125	20	6	34	3	12	17	570
GN 31-100-M16-125-B2-*	100	M 16	125	20	6	34	3	12	14	550
GN 31-100-M16-125-B3-*	100	M 16	125	20	6	34	3	12	17	570
GN 31-100-M16-125-B4-*	100	M 16	125	20	6	34	3	12	14	570
GN 31-100-M16-125-C3-*	100	M 16	125	20	6	34	3	12	17	570
GN 31-100-M16-125-C4-*	100	M 16	125	20	6	34	3	12	14	570
GN 31-100-M16-150-B1-*	100	M 16	150	20	6	34	3	12	17	600
GN 31-100-M16-150-B2-*	100	M 16	150	20	6	34	3	12	14	580
GN 31-100-M16-150-B3-*	100	M 16	150	20	6	34	3	12	17	600
GN 31-100-M16-150-B4-*	100	M 16	150	20	6	34	3	12	14	600
GN 31-100-M16-150-C3-*	100	M 16	150	20	6	34	3	12	17	600
GN 31-100-M16-150-C4-*	100	M 16	150	20	6	34	3	12	14	600
GN 31-100-M16-200-B1-*	100	M 16	200	20	6	34	3	12	17	630
GN 31-100-M16-200-B2-*	100	M 16	200	20	6	34	3	12	14	610

Weight version T





* Complete with version of the Leveling feet (Wrench flat at the bottom)

T without nut TK with nut

GN 31-T/TK **STAINLESS STEEL**

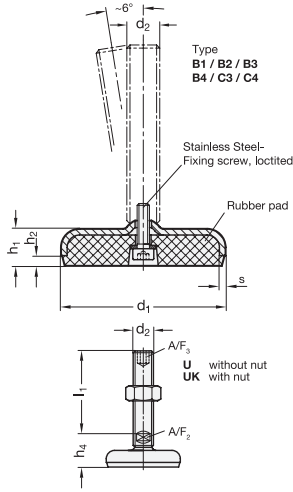
Description	d1	d2	l1	h1	h2	h4 +4	s	A/F2	Static load in kN	⚖️
GN 31-100-M16-200-B3-*	100	M 16	200	20	6	34	3	12	17	630
GN 31-100-M16-200-B4-*	100	M 16	200	20	6	34	3	12	14	630
GN 31-100-M16-200-C3-*	100	M 16	200	20	6	34	3	12	17	630
GN 31-100-M16-200-C4-*	100	M 16	200	20	6	35	3	12	14	630
GN 31-100-M16-250-B1-*	100	M 16	250	20	6	34	3	12	17	621
GN 31-100-M16-250-B2-*	100	M 16	250	20	6	34	3	12	14	622
GN 31-100-M16-250-B3-*	100	M 16	250	20	6	34	3	12	17	623
GN 31-100-M16-250-B4-*	100	M 16	250	20	6	34	3	12	14	624
GN 31-100-M16-250-C3-*	100	M 16	250	20	6	34	3	12	17	625
GN 31-100-M16-250-C4-*	100	M 16	250	20	6	34	3	12	14	626
GN 31-100-M20-75-B1-*	100	M 20	75	20	6	35	3	15	17	707
GN 31-100-M20-75-B2-*	100	M 20	75	20	6	35	3	15	14	620
GN 31-100-M20-75-B3-*	100	M 20	75	20	6	35	3	15	17	707
GN 31-100-M20-75-B4-*	100	M 20	75	20	6	35	3	15	14	707
GN 31-100-M20-75-C3-*	100	M 20	75	20	6	35	3	15	17	707
GN 31-100-M20-75-C4-*	100	M 20	75	20	6	35	3	15	14	707
GN 31-100-M20-100-B1-*	100	M 20	100	20	6	35	3	15	17	740
GN 31-100-M20-100-B2-*	100	M 20	100	20	6	35	3	15	14	700
GN 31-100-M20-100-B3-*	100	M 20	100	20	6	35	3	15	17	740
GN 31-100-M20-100-B4-*	100	M 20	100	20	6	35	3	15	14	740
GN 31-100-M20-100-C3-*	100	M 20	100	20	6	35	3	15	17	740
GN 31-100-M20-100-C4-*	100	M 20	100	20	6	35	3	15	14	740
GN 31-100-M20-125-B1-*	100	M 20	125	20	6	35	3	15	17	816
GN 31-100-M20-150-B4-*	100	M 20	150	20	6	35	3	15	14	830
GN 31-100-M20-150-C3-*	100	M 20	150	20	6	35	3	15	17	830
GN 31-100-M20-150-C4-*	100	M 20	150	20	6	35	3	15	14	830
GN 31-100-M20-200-B1-*	100	M 20	200	20	6	35	3	15	17	840
GN 31-100-M20-200-B2-*	100	M 20	200	20	6	35	3	15	14	800
GN 31-100-M20-200-B3-*	100	M 20	200	20	6	35	3	15	17	840
GN 31-100-M20-200-B4-*	100	M 20	200	20	6	35	3	15	14	840
GN 31-100-M20-200-C3-*	100	M 20	200	20	6	35	3	15	17	840
GN 31-100-M20-200-C4-*	100	M 20	200	20	6	35	3	15	14	840
GN 31-100-M20-250-B1-*	100	M 20	250	20	6	35	3	15	17	657

GN 31-T/TK

STAINLESS STEEL

Description	d1	d2	l1	h1	h2	h4 +4	s	A/F2	Static load in kN	⚖️
GN 31-100-M20-250-B2-*	100	M 20	250	20	6	38	3	15	14	658
GN 31-100-M20-250-B3-*	100	M 20	250	20	6	38	3	15	17	659
GN 31-100-M20-250-B4-*	100	M 20	250	20	6	38	3	15	14	660
GN 31-100-M20-250-C31-*	100	M 20	250	20	6	38	3	15	17	661
GN 31-100-M20-250-C41-*	100	M 20	250	20	6	38	3	15	14	662
GN 31-100-M24-100-B1-*	100	M 24	100	20	6	38	3	19	17	860
GN 31-100-M24-100-B2-*	100	M 24	100	20	6	38	3	19	14	850
GN 31-100-M24-100-B3-*	100	M 24	100	20	6	38	3	19	17	860
GN 31-100-M24-100-B4-*	100	M 24	100	20	6	38	3	19	14	860
GN 31-100-M24-100-C3-*	100	M 24	100	20	6	38	3	19	17	860
GN 31-100-M24-100-C4-*	100	M 24	100	20	6	38	3	19	14	860
GN 31-100-M24-125-B1-*	100	M 24	125	20	6	38	3	19	17	936
GN 31-100-M24-125-B2-*	100	M 24	125	20	6	38	3	19	14	848
GN 31-100-M24-125-B3-*	100	M 24	125	20	6	38	3	19	17	936
GN 31-100-M24-125-B4-*	100	M 24	125	20	6	38	3	19	14	936
GN 31-100-M24-125-C3-*	100	M 24	125	20	6	38	3	19	17	936
GN 31-100-M24-125-C4-*	100	M 24	125	20	6	38	3	19	14	936
GN 31-100-M24-150-B1-*	100	M 24	150	20	6	38	3	19	17	950
GN 31-100-M24-150-B2-*	100	M 24	150	20	6	38	3	19	14	940
GN 31-100-M24-150-B3-*	100	M 24	150	20	6	38	3	19	17	950
GN 31-100-M24-150-B4-*	100	M 24	150	20	6	38	3	19	14	950
GN 31-100-M24-150-C3-*	100	M 24	150	20	6	38	3	19	17	950
GN 31-100-M24-150-C4-*	100	M 24	150	20	6	38	3	19	14	950
GN 31-100-M24-200-B1-*	100	M 24	200	20	6	38	3	19	17	990
GN 31-100-M24-200-B2-*	100	M 24	200	20	6	38	3	19	14	980
GN 31-100-M24-200-B3-*	100	M 24	200	20	6	38	3	19	17	990
GN 31-100-M24-200-B4-*	100	M 24	200	20	6	38	3	19	14	990
GN 31-100-M24-200-C3-*	100	M 24	200	20	6	38	3	19	17	990
GN 31-100-M24-200-C4-*	100	M 24	200	20	6	38	3	19	14	990
GN 31-100-M24-300-B1-*	100	M 24	300	20	6	38	3	19	17	687
GN 31-100-M24-300-B2-*	100	M 24	300	20	6	38	3	19	14	688
GN 31-100-M24-300-B3-*	100	M 24	300	20	6	38	3	19	17	689
GN 31-100-M24-300-B4-*	100	M 24	300	20	6	38	3	19	14	690
GN 31-100-M24-300-C3-*	100	M 24	300	20	6	38	3	19	17	691
GN 31-100-M24-300-C4-*	100	M 24	300	20	6	38	3	19	14	692
GN 31-120-M20-100-B1-*	120	M 20	100	22	6	39	4	15	25	1000
GN 31-120-M20-100-B2-*	120	M 20	100	22	6	39	4	15	22	990
GN 31-120-M20-125-B1-*	120	M 20	125	22	6	39	4	15	25	1000
GN 31-120-M20-125-B2-*	120	M 20	125	22	6	39	4	15	22	1000
GN 31-120-M20-150-B1-*	120	M 20	150	22	6	39	4	15	25	1000
GN 31-120-M20-150-B2-*	120	M 20	150	22	6	39	4	15	22	1000
GN 31-120-M20-200-B1-*	120	M 20	200	22	6	39	4	15	25	1080
GN 31-120-M20-200-B2-*	120	M 20	200	22	6	39	4	15	22	1060
GN 31-120-M20-250-B1-*	120	M 20	250	22	6	39	4	15	25	1601
GN 31-120-M20-250-B2-*	120	M 20	250	22	6	39	4	15	22	1465
GN 31-120-M24-100-B1-*	120	M 24	100	22	6	42	4	19	25	1080
GN 31-120-M24-100-B2-*	120	M 24	100	22	6	42	4	19	22	1080
GN 31-120-M24-125-B1-*	120	M 24	125	22	6	42	4	19	25	1090
GN 31-120-M24-125-B2-*	120	M 24	125	22	6	42	4	19	22	1070
GN 31-120-M24-150-B1-*	120	M 24	150	22	6	42	4	19	25	1090
GN 31-120-M24-150-B2-*	120	M 24	150	22	6	42	4	19	22	1090
GN 31-120-M24-200-B1-*	120	M 24	200	22	6	42	4	19	25	1280
GN 31-120-M24-200-B2-*	120	M 24	200	22	6	42	4	19	22	1144
GN 31-120-M24-300-B1-*	120	M 24	300	22	6	42	4	19	25	2450
GN 31-120-M24-300-B2-*	120	M 24	300	22	6	42	4	19	22	2314
GN 31-120-M30-100-B1-*	120	M 30	100	22	6	46	4	24	25	1280
GN 31-120-M30-100-B2-*	120	M 30	100	22	6	46	4	24	22	1280
GN 31-120-M30-125-B1-*	120	M 30	125	22	6	46	4	24	25	1329
GN 31-120-M30-125-B2-*	120	M 30	125	22	6	46	4	24	22	1200
GN 31-120-M30-150-B1-*	120	M 30	150	22	6	46	4	24	25	1329
GN 31-120-M30-150-B2-*	120	M 30	150	22	6	46	4	24	22	1329
GN 31-120-M30-200-B1-*	120	M 30	200	22	6	46	4	24	25	1329
GN 31-120-M30-200-B2-*	120	M 30	200	22	6	46	4	24	28	1329
GN 31-120-M30-300-B1-*	120	M 30	300	22	6	46	4	24	25	2194
GN 31-120-M30-300-B2-*	120	M 30	300	22	6	46	4	24	28	2058

Weight version T



GN 31-T/TK

STAINLESS STEEL

Description	d1	d2	l1	h1	h2	h4 +4	s	A/F2	Static load in kN	⚖️
GN 31-50-M16-75-B1-*	50	M16	75	14.5	3.5	29	3	12	28	191
GN 31-50-M16-75-B2-*	50	M16	75	14.5	3.5	29	3	12	28	180
GN 31-50-M16-100-B1-*	50	M16	100	14.5	3.5	29	3	12	28	220
GN 31-50-M16-100-B2-*	50	M16	100	14.5	3.5	29	3	12	28	200
GN 31-50-M16-125-B1-*	50	M16	125	14.5	3.5	29	3	12	28	260
GN 31-50-M16-125-B2-*	50	M16	125	14.5	3.5	29	3	12	28	240
GN 31-50-M16-150-B1-*	50	M16	150	14.5	3.5	29	3	12	28	289
GN 31-50-M16-150-B2-*	50	M16	150	14.5	3.5	29	3	12	28	280
GN 31-50-M16-200-B1-*	50	M16	200	14.5	3.5	29	3	12	28	295
GN 31-50-M16-200-B2-*	50	M16	200	14.5	3.5	29	3	12	28	290
GN 31-50-M16-250-B1-*	50	M16	250	14.5	3.5	29	3	12	28	481
GN 31-50-M16-250-B2-*	50	M16	250	14.5	3.5	29	3	12	28	711
GN 31-60-M16-75-B1-*	60	M16	75	16	4	30	3	12	28	280
GN 31-60-M16-75-B2-*	60	M16	75	16	4	30	3	12	25	230
GN 31-60-M16-75-B3-*	60	M16	75	16	4	30	3	12	28	280
GN 31-60-M16-75-B4-*	60	M16	75	16	4	30	3	12	25	280
GN 31-60-M16-75-C3-*	60	M16	75	16	4	30	3	12	28	280
GN 31-60-M16-75-C4-*	60	M16	75	16	4	30	3	12	25	280
GN 31-60-M16-100-B1-*	60	M16	100	16	4	30	3	12	28	290
GN 31-60-M16-100-B2-*	60	M16	100	16	4	30	3	12	25	260
GN 31-60-M16-100-B3-*	60	M16	100	16	4	30	3	12	28	290
GN 31-60-M16-100-B4-*	60	M16	100	16	4	30	3	12	25	290
GN 31-60-M16-100-C3-*	60	M16	100	16	4	30	3	12	28	290
GN 31-60-M16-100-C4-*	60	M16	100	16	4	30	3	12	25	290
GN 31-60-M16-125-B1-*	60	M16	125	16	4	30	3	12	28	310
GN 31-60-M16-125-B2-*	60	M16	125	16	4	30	3	12	25	300
GN 31-60-M16-125-B3-*	60	M16	125	16	4	30	3	12	28	310
GN 31-60-M16-125-B4-*	60	M16	125	16	4	30	3	12	25	310
GN 31-60-M16-125-C3-*	60	M16	125	16	4	30	3	12	28	310
GN 31-60-M16-125-C4-*	60	M16	125	16	4	30	3	12	25	310
GN 31-60-M16-150-B1-*	60	M16	150	16	4	30	3	12	28	340
GN 31-60-M16-150-B2-*	60	M16	150	16	4	30	3	12	25	330
GN 31-60-M16-150-B3-*	60	M16	150	16	4	30	3	12	28	340
GN 31-60-M16-150-B4-*	60	M16	150	16	4	30	3	12	25	340
GN 31-60-M16-150-C3-*	60	M16	150	16	4	30	3	12	28	340
GN 31-60-M16-150-C4-*	60	M16	150	16	4	30	3	12	25	340
GN 31-60-M16-200-B1-*	60	M16	200	16	4	30	3	12	28	360
GN 31-60-M16-200-B2-*	60	M16	200	16	4	30	3	12	25	360
GN 31-60-M16-200-B3-*	60	M16	200	16	4	30	3	12	28	360
GN 31-60-M16-200-B4-*	60	M16	200	16	4	30	3	12	25	360
GN 31-60-M16-250-B1-*	60	M16	250	16	4	30	3	12	28	464
GN 31-60-M16-250-B2-*	60	M16	250	16	4	30	3	12	25	445
GN 31-60-M16-250-B3-*	60	M16	250	16	4	30	3	12	28	458
GN 31-60-M16-250-B4-*	60	M16	250	16	4	30	3	12	25	466
GN 31-60-M16-250-C3-*	60	M16	250	16	4	30	3	12	28	456
GN 31-60-M16-250-C4-*	60	M16	250	16	4	30	3	12	25	465
GN 31-80-M16-75-B1-*	80	M16	75	18	5	32	3	12	19	390
GN 31-80-M16-75-B2-*	80	M16	75	18	5	32	3	12	15	360
GN 31-80-M16-75-B3-*	80	M16	75	18	5	32	3	12	19	390

GN 31-T/TK

STAINLESS STEEL

Description	d1	d2	l1	h1	h2	h4 +4	s	A/F2	Static load in kN	⚖️
GN 31-80-M16-75-B4-*	80	M16	75	18	5	32	3	12	15	390
GN 31-80-M16-75-C3-*	80	M16	75	18	5	32	3	12	19	390
GN 31-80-M16-75-C4-*	80	M16	75	18	5	32	3	12	15	390
GN 31-80-M16-100-B1-*	80	M16	100	18	5	32	3	12	19	410
GN 31-80-M16-100-B2-*	80	M16	100	18	5	32	3	12	15	400
GN 31-80-M16-100-B3-*	80	M16	100	18	5	32	3	12	19	410
GN 31-80-M16-100-B4-*	80	M16	100	18	5	32	3	12	15	410
GN 31-80-M16-100-C3-*	80	M16	100	18	5	32	3	12	19	410
GN 31-80-M16-100-C4-*	80	M16	100	18	5	32	3	12	15	410
GN 31-80-M16-125-B1-*	80	M16	125	18	5	32	3	12	19	419
GN 31-80-M16-125-B2-*	80	M16	125	18	5	32	3	12	15	350
GN 31-80-M16-125-B3-*	80	M16	125	18	5	32	3	12	19	419
GN 31-80-M16-125-B4-*	80	M16	125	18	5	32	3	12	15	419
GN 31-80-M16-125-C3-*	80	M16	125	18	5	32	3	12	19	419
GN 31-80-M16-125-C4-*	80	M16	125	18	5	32	3	12	15	419
GN 31-80-M16-150-B1-*	80	M16	150	18	5	32	3	12	19	455
GN 31-80-M16-150-B2-*	80	M16	150	18	5	32	3	12	15	450
GN 31-80-M16-150-B3-*	80	M16	150	18	5	32	3	12	19	455
GN 31-80-M16-150-B4-*	80	M16	150	18	5	32	3	12	15	455
GN 31-80-M16-150-C3-*	80	M16	150	18	5	32	3	12	19	455
GN 31-80-M16-150-C4-*	80	M16	150	18	5	32	3	12	15	455
GN 31-80-M16-200-B1-*	80	M16	200	18	5	32	3	12	19	515
GN 31-80-M16-200-B2-*	80	M16	200	18	5	32	3	12	15	480
GN 31-80-M16-200-B3-*	80	M16	200	18	5	32	3	12	19	515
GN 31-80-M16-200-B4-*	80	M16	200	18	5	32	3	12	15	515
GN 31-80-M16-200-C3-*	80	M16	200	18	5	32	3	12	19	515
GN 31-80-M16-200-C4-*	80	M16	200	18	5	32	3	12	15	515
GN 31-80-M16-250-B1-*	80	M16	250	18	5	32	3	12	15	848
GN 31-80-M16-250-B2-*	80	M16	250	18	5	32	3	12	15	781
GN 31-80-M16-250-B3-*	80	M16	250	18	5	32	3	12	15	831
GN 31-80-M16-250-B4-*	80	M16	250	18	5	32	3	12	15	721
GN 31-80-M16-250-C3-*	80	M16	250	18	5	32	3	12	15	851
GN 31-80-M16-250-C4-*	80	M16	250	18	5	32	3	12	15	711
GN 31-80-M20-75-B1-*	80	M20	75	18	5	33	3	15	19	400
GN 31-80-M20-75-B2-*	80	M20	75	18	5	33	3	15	15	390
GN 31-80-M20-75-B3-*	80	M20	75	18	5	33	3	15	19	400
GN 31-80-M20-75-B4-*	80	M20	75	18	5	33	3	15	15	400
GN 31-80-M20-75-C3-*	80	M20	75	18	5	33	3	15	19	400
GN 31-80-M20-75-C4-*	80	M20	75	18	5	33	3	15	15	400
GN 31-80-M20-100-B1-*	80	M20	100	18	5	33	3	15	19	460
GN 31-80-M20-100-B2-*	80	M20	100	18	5	33	3	15	15	450
GN 31-80-M20-100-B3-*	80	M20	100	18	5	33	3	15	19	460
GN 31-80-M20-100-B4-*	80	M20	100	18	5	33	3	15	15	460
GN 31-80-M20-100-C3-*	80	M20	100	18	5	33	3	15	19	460
GN 31-80-M20-100-C4-*	80	M20	100	18	5	33	3	15	15	460
GN 31-80-M20-125-B1-*	80	M20	125	18	5	33	3	15	19	520
GN 31-80-M20-125-B2-*	80	M20	125	18	5	33	3	15	15	500
GN 31-80-M20-125-B3-*	80	M20	125	18	5	33	3	15	19	520
GN 31-80-M20-125-B4-*	80	M20	125	18	5	33	3	15	15	520
GN 31-80-M20-125-C3-*	80	M20	125	18	5	33	3	15	19	520
GN 31-80-M20-125-C4-*	80	M20	125	18	5	33	3	15	15	520
GN 31-80-M20-150-B1-*	80	M20	150	18	5	33	3	15	19	494
GN 31-80-M20-150-B2-*	80	M20	150	18	5	33	3	15	15	480
GN 31-80-M20-150-B3-*	80	M20	150	18	5	33	3	15	19	494
GN 31-80-M20-150-B4-*	80	M20	150	18	5	33	3	15	15	494
GN 31-80-M20-150-C3-*	80	M20	150	18	5	33	3	15	19	494
GN 31-80-M20-150-C4-*	80	M20	150	18	5	33	3	15	15	494
GN 31-80-M20-200-B1-*	80	M20	200	18	5	33	3	15	19	660
GN 31-80-M20-200-B2-*	80	M20	200	18	5	33	3	15	15	650
GN 31-80-M20-200-B3-*	80	M20	200	18	5	33	3	15	19	660
GN 31-80-M20-200-B4-*	80	M20	200	18	5	33	3	15	15	660
GN 31-80-M20-200-C3-*	80	M20	200	18	5	33	3	15	19	660
GN 31-80-M20-200-C4-*	80	M20	200	18	5	33	3	15	15	660
GN 31-80-M20-250-B1-*	80	M20	250	18	5	33	3	15	19	783
GN 31-80-M20-250-B2-*	80	M20	250	18	5	33	3	15	15	740
GN 31-80-M20-250-B3-*	80	M20	250	18	5	33	3	15	9	754
GN 31-80-M20-250-B4-*	80	M20	250	18	5	33	3	15	15	770
GN 31-80-M20-250-C3-*	80	M20	250	18	5	33	3	15	19	756
GN 31-80-M20-250-C4-*	80	M20	250	18	5	33	3	15	15	769
GN 31-80-M24-100-B1-*	80	M24	100	18	5	36	3	19	19	630
GN 31-80-M24-100-B2-*	80	M24	100	18	5	36	3	19	15	570
GN 31-80-M24-100-B3-*										

GN 31

Leveling Feet

* Complete with version of the Leveling feet
(Hex socket at the top / Wrench at the bottom)

U UK

GN 31-U/UK

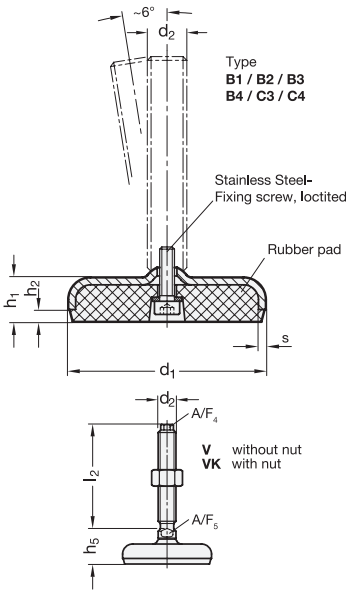
STAINLESS STEEL

Description	d1	d2	l1	h1	h2	h4 +4	s	A/F 2	A/F 3	Static load in kN	⚖️	
GN 31-80-M24-125-B4-*	80	M 24	125	18	5	36	3	19	12	15	640	
GN 31-80-M24-125-C3-*	80	M 24	125	18	5	36	3	19	12	19	640	
GN 31-80-M24-125-C4-*	80	M 24	125	18	5	36	3	19	12	15	640	
GN 31-80-M24-150-B1-*	80	M 24	150	18	5	36	3	19	12	19	700	
GN 31-80-M24-150-B2-*	80	M 24	150	18	5	36	3	19	12	15	650	
GN 31-80-M24-150-B3-*	80	M 24	150	18	5	36	3	19	12	19	700	
GN 31-80-M24-150-B4-*	80	M 24	150	18	5	36	3	19	12	15	700	
GN 31-80-M24-150-C3-*	80	M 24	150	18	5	36	3	19	12	19	700	
GN 31-80-M24-150-C4-*	80	M 24	150	18	5	36	3	19	12	15	700	
GN 31-80-M24-200-B1-*	80	M 24	200	18	5	36	3	19	12	19	710	
GN 31-80-M24-200-B2-*	80	M 24	200	18	5	36	3	19	12	15	751	
GN 31-80-M24-200-B3-*	80	M 24	200	18	5	36	3	19	12	19	710	
GN 31-80-M24-200-B4-*	80	M 24	200	18	5	36	3	19	12	15	710	
GN 31-80-M24-200-C3-*	80	M 24	200	18	5	36	3	19	12	19	710	
GN 31-80-M24-200-C4-*	80	M 24	200	18	5	36	3	19	12	15	710	
GN 31-80-M24-300-B1-*	80	M 24	300	18	5	36	3	19	12	19	1043	
GN 31-80-M24-300-B2-*	80	M 24	300	18	5	36	3	19	12	15	1000	
GN 31-80-M24-300-B3-*	80	M 24	300	18	5	36	3	19	12	19	1038	
GN 31-80-M24-300-B4-*	80	M 24	300	18	5	36	3	19	12	15	1057	
GN 31-80-M24-300-C3-*	80	M 24	300	18	5	36	3	19	12	19	1030	
GN 31-80-M24-300-C4-*	80	M 24	300	18	5	36	3	19	12	15	1045	
GN 31-100-M16-75-B1-*	100	M 16	75	20	6	34	3	12	8	17	400	
GN 31-100-M16-75-B2-*	100	M 16	75	20	6	34	3	12	8	14	390	
GN 31-100-M16-75-B3-*	100	M 16	75	20	6	34	3	12	8	17	400	
GN 31-100-M16-75-B4-*	100	M 16	75	20	6	34	3	12	8	14	400	
GN 31-100-M16-75-C3-*	100	M 16	75	20	6	34	3	12	8	17	400	
GN 31-100-M16-75-C4-*	100	M 16	75	20	6	34	3	12	8	14	400	
GN 31-100-M16-100-B1-*	100	M 16	100	20	6	34	3	12	8	17	524	
GN 31-100-M16-100-B2-*	100	M 16	100	20	6	34	3	12	8	14	524	
GN 31-100-M16-100-B3-*	100	M 16	100	20	6	34	3	12	8	17	524	
GN 31-100-M16-100-B4-*	100	M 16	100	20	6	34	3	12	8	14	524	
GN 31-100-M16-100-C3-*	100	M 16	100	20	6	34	3	12	8	17	524	
GN 31-100-M16-100-C4-*	100	M 16	100	20	6	34	3	12	8	14	524	
GN 31-100-M16-125-B1-*	100	M 16	125	20	6	34	3	12	8	17	540	
GN 31-100-M16-125-B2-*	100	M 16	125	20	6	34	3	12	8	14	500	
GN 31-100-M16-125-B3-*	100	M 16	125	20	6	34	3	12	8	17	540	
GN 31-100-M16-125-B4-*	100	M 16	125	20	6	34	3	12	8	14	540	
GN 31-100-M16-125-C3-*	100	M 16	125	20	6	34	3	12	8	17	540	
GN 31-100-M16-125-C4-*	100	M 16	125	20	6	34	3	12	8	14	586	
GN 31-100-M16-150-B1-*	100	M 16	150	20	6	34	3	12	8	17	560	
GN 31-100-M16-150-B2-*	100	M 16	150	20	6	34	3	12	8	14	586	
GN 31-100-M16-150-B3-*	100	M 16	150	20	6	34	3	12	8	17	586	
GN 31-100-M16-150-B4-*	100	M 16	150	20	6	34	3	12	8	14	586	
GN 31-100-M16-150-C3-*	100	M 16	150	20	6	34	3	12	8	17	586	
GN 31-100-M16-150-C4-*	100	M 16	150	20	6	34	3	12	8	14	586	
GN 31-100-M16-200-B1-*	100	M 16	200	20	6	34	3	12	8	17	642	
GN 31-100-M16-200-B2-*	100	M 16	200	20	6	34	3	12	8	14	630	
GN 31-100-M16-200-B3-*	100	M 16	200	20	6	34	3	12	8	17	642	
GN 31-100-M16-200-B4-*	100	M 16	200	20	6	34	3	12	8	14	642	
GN 31-100-M16-250-B1-*	100	M 16	250	20	6	34	3	12	8	17	712	
GN 31-100-M16-250-B2-*	100	M 16	250	20	6	34	3	12	8	14	646	
GN 31-100-M16-250-B3-*	100	M 16	250	20	6	34	3	12	8	17	699	
GN 31-100-M16-250-B4-*	100	M 16	250	20	6	34	3	12	8	14	719	
GN 31-100-M16-250-C3-*	100	M 16	250	20	6	34	3	12	8	17	689	
GN 31-100-M16-250-C4-*	100	M 16	250	20	6	34	3	12	8	14	700	
GN 31-100-M20-75-B1-*	100	M 20	75	20	6	35	3	15	10	17	540	
GN 31-100-M20-75-B2-*	100	M 20	75	20	6	35	3	15	10	14	530	
GN 31-100-M20-75-B3-*	100	M 20	75	20	6	35	3	15	10	17	540	
GN 31-100-M20-75-B4-*	100	M 20	75	20	6	35	3	15	10	14	540	
GN 31-100-M20-75-C3-*	100	M 20	75	20	6	35	3	15	10	17	540	
GN 31-100-M20-75-C4-*	100	M 20	75	20	6	35	3	15	10	14	540	
GN 31-100-M20-100-B1-*	100	M 20	100	20	6	35	3	15	10	17	620	
GN 31-100-M20-100-B2-*	100	M 20	100	20	6	35	3	15	10	14	600	
GN 31-100-M20-100-B3-*	100	M 20	100	20	6	35	3	15	10	17	620	
GN 31-100-M20-100-B4-*	100	M 20	100	20	6	35	3	15	10	14	620	
GN 31-100-M20-100-C3-*	100	M 20	100	20	6	35	3	15	10	17	620	
GN 31-100-M20-100-C4-*	100	M 20	100	20	6	35	3	15	10	14	620	
GN 31-100-M20-125-B1-*	100	M 20	125	20	6	35	3	15	10	17	670	
GN 31-100-M20-125-B2-*	100	M 20	125	20	6	35	3	15	10	14	650	
GN 31-100-M20-125-B3-*	100	M 20	125	20	6	35	3	15	10	17	670	
GN 31-100-M20-125-B4-*	100	M 20	125	20	6	35	3	15	10	14	670	
GN 31-100-M20-125-C3-*	100	M 20	125	20	6	35	3	15	10	17	670	
GN 31-100-M20-125-C4-*	100	M 20	125	20	6	35	3	15	10	14	670	

GN 31-U/UK

STAINLESS STEEL

Description	d1	d2	l1	h1	h2	h4 +4	s	A/F 2	A/F 3	Static load in kN	⚖️	
GN 31-100-M20-150-B1-*	100	M 20	150	20	6	35	3	15	10	17	715	
GN 31-100-M20-150-B2-*	100	M 20	150	20	6	35	3	15	10	14	700	
GN 31-100-M20-150-B3-*	100	M 20	150	20	6	35	3	15	10	17	715	
GN 31-100-M20-150-B4-*	100	M 20	150	20	6	35	3	15	10	14	715	
GN 31-100-M20-150-C3-*	100	M 20	150	20	6	35	3	15	10	17	715	
GN 31-100-M20-150-C4-*	100	M 20	150	20	6	35	3	15	10	14	715	
GN 31-100-M20-200-B1-*	100	M 20	200	20	6	35	3	15	10	17	798	
GN 31-100-M20-200-B2-*	100	M 20	200	20	6	35	3	15	10	14	700	
GN 31-100-M20-200-B3-*	100	M 20	200	20	6	35	3	15	10	17	798	
GN 31-100-M20-200-B4-*	100	M 20	200	20	6	35	3	15	10	14	798	
GN 31-100-M20-200-C3-*	100	M 20	200	20	6	35	3	15	10	17	798	
GN 31-100-M20-200-C4-*	100	M 20	200	20	6	35	3	15	10	14	798	
GN 31-100-M24-100-B1-*	100	M 24	100	20	6	38	3	19	12	17	700	
GN 31-100-M24-100-B2-*	100	M 24	100	20	6	38	3	19	12	14	680	
GN 31-100-M24-100-B3-*	100	M 24	100	20	6	38	3	19	12	17	700	
GN 31-100-M24-100-B4-*	100	M 24	100	20	6	38	3	19	12	14	700	
GN 31-100-M24-100-C3-*	100	M 24	100	20	6	38	3	19	12	17	700	
GN 31-100-M24-100-C4-*	100	M 24	100	20	6	38	3	19	12	14	700	
GN 31-100-M24-125-B1-*	100	M 24	125	20	6	38	3	19	12	17	720	
GN 31-100-M24-125-B2-*	100	M 24	125	20	6	38	3	19	12	14	710	
GN 31-100-M24-125-B3-*	100	M 24	125	20	6	38	3	19	12	17	720	
GN 31-100-M24-125-B4-*	100	M 24	125	20	6	38	3	19	12	14	720	
GN 31-100-M24-125-C3-*	100	M 24	125	20	6	38	3	19	12	17	720	
GN 31-100-M24-125-C4-*	100	M 24	125	20	6	38	3	19	12	14	720	
GN 31-100-M24-150-B1-*	100	M 24	150	20	6	38	3	19	12	17	840	
GN 31-100-M24-150-B2-*	100	M 24	150	20	6	38	3	19	12	14	800	
GN 31-100-M24-150-B3-*	100	M 24	150	20	6	38	3	19	12	17	840	
GN 31-100-M24-150-B4-*	100	M 24	150	20	6	38	3	19	12	14	840	
GN 31-100-M24-150-C3-*	100	M 24	150	20	6	38	3	19	12	17	840	
GN 31-100-M24-150-C4-*	100	M 24	150	20	6	38	3	19	12	14	840	
GN 31-100-M24-200-B1-*	100	M 24	200	20	6	38	3	19	12	17	895	
GN 31-100-M24-200-B2-*	100	M 24	200	20	6	38	3	19	12	14	850	
GN 31-100-M24-200-B3-*	100	M 24	200	20	6	38	3	19	12</			



* Complete with version of Leveling feet
(External hex socket on the top / Wrench flat at the bottom)

V without nut VK with nut

GN 31-V/VK **STAINLESS STEEL**

Description	d1	d2	l2	h1	h2	h5 +4	s	A/FA/F 4 5	Static load in kN	
GN 31-60-M16-75-B1-*	60	M16	75	16	4	27	3	10 12	27	200
GN 31-60-M16-75-B2-*	60	M16	75	16	4	27	3	10 12	27	156
GN 31-60-M16-75-B3-*	60	M16	75	16	4	27	3	10 12	27	200
GN 31-60-M16-75-B4-*	60	M16	75	16	4	27	3	10 12	27	200
GN 31-60-M16-75-C3-*	60	M16	75	16	4	27	3	10 12	27	200
GN 31-60-M16-75-C4-*	60	M16	75	16	4	27	3	10 12	27	200
GN 31-60-M16-100-B1-*	60	M16	100	16	4	27	3	10 12	27	260
GN 31-60-M16-100-B2-*	60	M16	100	16	4	27	3	10 12	27	250
GN 31-60-M16-100-B3-*	60	M16	100	16	4	27	3	10 12	27	260
GN 31-60-M16-100-B4-*	60	M16	100	16	4	27	3	10 12	27	260
GN 31-60-M16-100-C3-*	60	M16	100	16	4	27	3	10 12	27	260
GN 31-60-M16-100-C4-*	60	M16	100	16	4	27	3	10 12	27	260
GN 31-60-M16-125-B1-*	60	M16	125	16	4	27	3	10 12	27	300
GN 31-60-M16-125-B2-*	60	M16	125	16	4	27	3	10 12	27	290
GN 31-60-M16-125-B3-*	60	M16	125	16	4	27	3	10 12	27	300
GN 31-60-M16-125-B4-*	60	M16	125	16	4	27	3	10 12	27	300
GN 31-60-M16-125-C3-*	60	M16	125	16	4	27	3	10 12	27	300
GN 31-60-M16-125-C4-*	60	M16	125	16	4	27	3	10 12	27	300
GN 31-60-M16-150-B1-*	60	M16	150	16	4	27	3	10 12	27	320
GN 31-60-M16-150-B2-*	60	M16	150	16	4	27	3	10 12	27	310
GN 31-60-M16-150-B3-*	60	M16	150	16	4	27	3	10 12	27	320
GN 31-60-M16-150-B4-*	60	M16	150	16	4	27	3	10 12	27	320
GN 31-60-M16-150-C3-*	60	M16	150	16	4	27	3	10 12	27	320
GN 31-60-M16-150-C4-*	60	M16	150	16	4	27	3	10 12	27	320
GN 31-80-M16-75-B1-*	80	M16	75	18	5	29	3	10 12	24	335
GN 31-80-M16-75-B2-*	80	M16	75	18	5	29	3	10 12	24	330
GN 31-80-M16-75-B3-*	80	M16	75	18	5	29	3	10 12	24	335
GN 31-80-M16-75-B4-*	80	M16	75	18	5	29	3	10 12	24	335
GN 31-80-M16-75-C3-*	80	M16	75	18	5	29	3	10 12	24	335
GN 31-80-M16-75-C4-*	80	M16	75	18	5	29	3	10 12	24	335
GN 31-80-M16-100-B1-*	80	M16	100	18	5	29	3	10 12	24	392
GN 31-80-M16-100-B2-*	80	M16	100	18	5	29	3	10 12	24	350
GN 31-80-M16-100-B3-*	80	M16	100	18	5	29	3	10 12	24	392
GN 31-80-M16-100-B4-*	80	M16	100	18	5	29	3	10 12	24	392
GN 31-80-M16-100-C3-*	80	M16	100	18	5	29	3	10 12	24	392
GN 31-80-M16-100-C4-*	80	M16	100	18	5	29	3	10 12	24	392
GN 31-80-M16-125-B1-*	80	M16	125	18	5	29	3	10 12	24	424
GN 31-80-M16-125-B2-*	80	M16	125	18	5	29	3	10 12	24	382

GN 31-V/VK **STAINLESS STEEL**

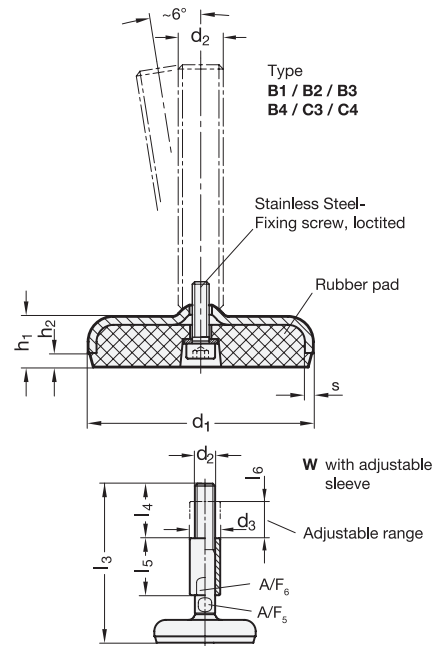
Description	d1	d2	l2	h1	h2	h5 +4	s	A/FA/F 4 5	Static load in kN	
GN 31-80-M16-125-B3-*	80	M16	125	18	5	29	3	10 12	24	424
GN 31-80-M16-125-B4-*	80	M16	125	18	5	29	3	10 12	24	424
GN 31-80-M16-125-C3-*	80	M16	125	18	5	29	3	10 12	24	424
GN 31-80-M16-125-C4-*	80	M16	125	18	5	29	3	10 12	24	424
GN 31-80-M16-150-B1-*	80	M16	150	18	5	29	3	10 12	24	457
GN 31-80-M16-150-B2-*	80	M16	150	18	5	29	3	10 12	24	440
GN 31-80-M16-150-B3-*	80	M16	150	18	5	29	3	10 12	24	457
GN 31-80-M16-150-B4-*	80	M16	150	18	5	29	3	10 12	24	457
GN 31-80-M16-150-C3-*	80	M16	150	18	5	29	3	10 12	24	457
GN 31-80-M16-150-C4-*	80	M16	150	18	5	29	3	10 12	24	457
GN 31-80-M20-100-B1-*	80	M20	100	18	5	30	3	13 16	24	567
GN 31-80-M20-100-B2-*	80	M20	100	18	5	30	3	13 16	24	525
GN 31-80-M20-100-B3-*	80	M20	100	18	5	30	3	13 16	24	567
GN 31-80-M20-100-B4-*	80	M20	100	18	5	30	3	13 16	24	567
GN 31-80-M20-100-C3-*	80	M20	100	18	5	30	3	13 16	24	567
GN 31-80-M20-100-C4-*	80	M20	100	18	5	30	3	13 16	24	567
GN 31-80-M20-125-B1-*	80	M20	125	18	5	30	3	13 16	24	618
GN 31-80-M20-125-B2-*	80	M20	125	18	5	30	3	13 16	24	576
GN 31-80-M20-125-B3-*	80	M20	125	18	5	30	3	13 16	24	618
GN 31-80-M20-125-B4-*	80	M20	125	18	5	30	3	13 16	24	618
GN 31-80-M20-125-C3-*	80	M20	125	18	5	30	3	13 16	24	618
GN 31-80-M20-125-C4-*	80	M20	125	18	5	30	3	13 16	24	618
GN 31-80-M20-150-B1-*	80	M20	150	18	5	30	3	13 16	24	670
GN 31-80-M20-150-B2-*	80	M20	150	18	5	30	3	13 16	24	628
GN 31-80-M20-150-B3-*	80	M20	150	18	5	30	3	13 16	24	670
GN 31-80-M20-150-B4-*	80	M20	150	18	5	30	3	13 16	24	670
GN 31-80-M20-150-C3-*	80	M20	150	18	5	30	3	13 16	24	670
GN 31-80-M20-150-C4-*	80	M20	150	18	5	30	3	13 16	24	670
GN 31-80-M20-200-B1-*	80	M20	200	18	5	30	3	13 16	24	775
GN 31-80-M20-200-B2-*	80	M20	200	18	5	30	3	13 16	24	733
GN 31-80-M20-200-B3-*	80	M20	200	18	5	30	3	13 16	24	775
GN 31-80-M20-200-B4-*	80	M20	200	18	5	30	3	13 16	24	775
GN 31-80-M20-200-C3-*	80	M20	200	18	5	30	3	13 16	24	775
GN 31-80-M20-200-C4-*	80	M20	200	18	5	30	3	13 16	24	775
GN 31-80-M24-100-B1-*	80	M24	100	18	5	33	3	17 20	24	607
GN 31-80-M24-100-B2-*	80	M24	100	18	5	33	3	17 20	24	563
GN 31-80-M24-100-B3-*	80	M24	100	18	5	33	3	17 20	24	607
GN 31-80-M24-100-B4-*	80	M24	100	18	5	33	3	17 20	24	607
GN 31-80-M24-100-C3-*	80	M24	100	18	5	33	3	17 20	24	607
GN 31-80-M24-100-C4-*	80	M24	100	18	5	33	3	17 20	24	607
GN 31-80-M24-150-B1-*	80	M24	150	18	5	33	3	17 20	24	700
GN 31-80-M24-150-B2-*	80	M24	150	18	5	33	3	17 20	24	690
GN 31-80-M24-150-B3-*	80	M24	150	18	5	33	3	17 20	24	700
GN 31-80-M24-150-B4-*	80	M24	150	18	5	33	3	17 20	24	700
GN 31-80-M24-150-C3-*	80	M24	150	18	5	33	3	17 20	24	700
GN 31-80-M24-150-C4-*	80	M24	150	18	5	33	3	17 20	24	700
GN 31-80-M24-200-B1-*	80	M24	200	18	5	33	3	17 20	24	850
GN 31-80-M24-200-B2-*	80	M24	200	18	5	33	3	17 20	24	840
GN 31-80-M24-200-B3-*	80	M24	200	18	5	33	3	17 20	24	850
GN 31-80-M24-200-B4-*	80	M24	200	18	5	33	3	17 20	24	850
GN 31-80-M24-200-C3-*	80	M24	200	18	5	33	3	17 20	24	850
GN 31-80-M24-200-C4-*	80	M24	200	18	5	33	3	17 20	24	850
GN 31-100-M16-75-B1-*	100	M16	75	20	6	31	3	10 12	21	480
GN 31-100-M16-75-B2-*	100	M16	75	20	6	31	3	10 12	21	460
GN 31-100-M16-75-B3-*	100	M16	75	20	6	31	3	10 12	21	480
GN 31-100-M16-75-B4-*	100	M16	75	20	6	31	3	10 12	21	480
GN 31-100-M16-75-C3-*	100	M16	75	20	6	31	3	10 12	21	480
GN 31-100-M16-75-C4-*	100	M16	75	20	6	31	3	10 12	21	480
GN 31-100-M16-100-B1-*	100	M16	100	20	6	31	3	10 12	21	505
GN 31-100-M16-100-B2-*	100	M16	100	20	6	31	3	10 12	21	490
GN 31-100-M16-100-B3-*	100	M16	100	20	6	31	3	10 12	21	505
GN 31-100-M16-100-B4-*	100	M16	100	20	6	31	3	10 12	21	505
GN 31-100-M16-100-C3-*	100	M16	100	20	6	31	3	10 12	21	505
GN 31-100-M16-100-C4-*	100	M16	100	20	6	31	3	10 12	21	505
GN 31-100-M16-125-B1-*	100	M16	125	20	6	31	3	10 12	21	530
GN 31-100-M16-125-B2-*	100	M16	125	20	6	31	3	10 12	21	510
GN 31-100-M16-125-B3-*	100	M16	125	20	6	31	3	10 12	21	530
GN 31-100-M16-125-B4-*	100	M16	125	20	6	31	3	10 12	21	530

Weight version V





Levelling elements 11



* Complete with version of Leveling feet
(External hex socket on the top / Wrench flat at the bottom)

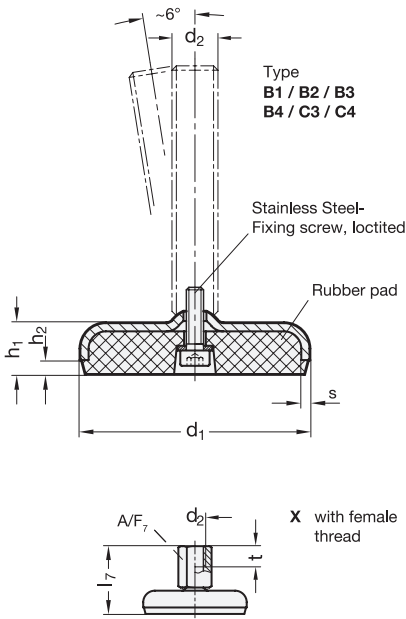
V VK **STAINLESS STEEL**

Description	d1	d2	l2	h1	h2	h5 +4	s	A/FA/F 4 5	Static load in kN	
GN 31-100-M16-125-C3-*	100	M 16	125	20	6	31	3	10 12	21	530
GN 31-100-M16-125-C4-*	100	M 16	125	20	6	31	3	10 12	21	530
GN 31-100-M16-150-B1-*	100	M 16	150	20	6	31	3	10 12	21	570
GN 31-100-M16-150-B2-*	100	M 16	150	20	6	31	3	10 12	21	555
GN 31-100-M16-150-B3-*	100	M 16	150	20	6	31	3	10 12	21	570
GN 31-100-M16-150-B4-*	100	M 16	150	20	6	31	3	10 12	21	570
GN 31-100-M16-150-C3-*	100	M 16	150	20	6	31	3	10 12	21	570
GN 31-100-M16-150-C4-*	100	M 16	150	20	6	31	3	10 12	21	570
GN 31-100-M20-100-B1-*	100	M 20	100	20	6	32	3	13 16	21	580
GN 31-100-M20-100-B2-*	100	M 20	100	20	6	32	3	13 16	21	575
GN 31-100-M20-100-B3-*	100	M 20	100	20	6	32	3	13 16	21	580
GN 31-100-M20-100-B4-*	100	M 20	100	20	6	32	3	13 16	21	580
GN 31-100-M20-100-C3-*	100	M 20	100	20	6	32	3	13 16	21	580
GN 31-100-M20-100-C4-*	100	M 20	100	20	6	32	3	13 16	21	580
GN 31-100-M20-125-B1-*	100	M 20	125	20	6	32	3	13 16	21	620
GN 31-100-M20-125-B2-*	100	M 20	125	20	6	32	3	13 16	21	600
GN 31-100-M20-125-B3-*	100	M 20	125	20	6	32	3	13 16	21	620
GN 31-100-M20-125-B4-*	100	M 20	125	20	6	32	3	13 16	21	620
GN 31-100-M20-125-C3-*	100	M 20	125	20	6	32	3	13 16	21	620
GN 31-100-M20-125-C4-*	100	M 20	125	20	6	32	3	13 16	21	660
GN 31-100-M20-150-B1-*	100	M 20	150	20	6	32	3	13 16	21	650
GN 31-100-M20-150-B2-*	100	M 20	150	20	6	32	3	13 16	21	660
GN 31-100-M20-150-B3-*	100	M 20	150	20	6	32	3	13 16	21	660
GN 31-100-M20-150-B4-*	100	M 20	150	20	6	32	3	13 16	21	660
GN 31-100-M20-150-C3-*	100	M 20	150	20	6	32	3	13 16	21	660
GN 31-100-M20-150-C4-*	100	M 20	150	20	6	32	3	13 16	21	660
GN 31-100-M20-200-B1-*	100	M 20	200	20	6	32	3	13 16	21	810
GN 31-100-M20-200-B2-*	100	M 20	200	20	6	32	3	13 16	21	804
GN 31-100-M20-200-B3-*	100	M 20	200	20	6	32	3	13 16	21	810
GN 31-100-M20-200-B4-*	100	M 20	200	20	6	32	3	13 16	21	810
GN 31-100-M20-200-C3-*	100	M 20	200	20	6	32	3	13 16	21	810
GN 31-100-M20-200-C4-*	100	M 20	200	20	6	32	3	13 16	21	810
GN 31-100-M24-100-B1-*	100	M 24	100	20	6	35	3	17 20	21	842
GN 31-100-M24-100-B2-*	100	M 24	100	20	6	35	3	17 20	21	754
GN 31-100-M24-100-B3-*	100	M 24	100	20	6	35	3	17 20	21	842
GN 31-100-M24-100-B4-*	100	M 24	100	20	6	35	3	17 20	21	842
GN 31-100-M24-100-C3-*	100	M 24	100	20	6	35	3	17 20	21	842
GN 31-100-M24-100-C4-*	100	M 24	100	20	6	35	3	17 20	21	842
GN 31-100-M24-150-B1-*	100	M 24	150	20	6	35	3	17 20	21	990
GN 31-100-M24-150-B2-*	100	M 24	150	20	6	35	3	17 20	21	902
GN 31-100-M24-150-B3-*	100	M 24	150	20	6	35	3	17 20	21	990
GN 31-100-M24-150-B4-*	100	M 24	150	20	6	35	3	17 20	21	990
GN 31-100-M24-150-C3-*	100	M 24	150	20	6	35	3	17 20	21	990
GN 31-100-M24-150-C4-*	100	M 24	150	20	6	35	3	17 20	21	990
GN 31-100-M24-200-B1-*	100	M 24	200	20	6	35	3	17 20	21	1110
GN 31-100-M24-200-B2-*	100	M 24	200	20	6	35	3	17 20	21	999
GN 31-100-M24-200-B3-*	100	M 24	200	20	6	35	3	17 20	21	1110
GN 31-100-M24-200-B4-*	100	M 24	200	20	6	35	3	17 20	21	1110
GN 31-100-M24-200-C3-*	100	M 24	200	20	6	35	3	17 20	21	1110
GN 31-100-M24-200-C4-*	100	M 24	200	20	6	35	3	17 20	21	1110

Weight version V

GN 31-W **STAINLESS STEEL**

Description	d1	d2	l3	d3	h1	h2	l4	l5	l6	s	A/F 5	A/F 6	Static load in kN	
GN 31-60-M16-123-B1-W	60	M 16	123	24	16	4	45	45	29	3	12	20	27	350
GN 31-60-M16-123-B2-W	60	M 16	123	24	16	4	45	45	29	3	12	20	27	330
GN 31-60-M16-123-B3-W	60	M 16	123	24	16	4	45	45	29	3	12	20	27	350
GN 31-60-M16-123-B4-W	60	M 16	123	24	16	4	45	45	29	3	12	20	27	350
GN 31-60-M16-123-C3-W	60	M 16	123	24	16	4	45	45	29	3	12	20	27	350
GN 31-60-M16-123-C4-W	60	M 16	123	24	16	4	45	45	29	3	12	20	27	350
GN 31-60-M16-148-B1-W	60	M 16	148	24	16	4	45	45	29	3	12	20	27	388
GN 31-60-M16-148-B2-W	60	M 16	148	24	16	4	45	45	29	3	12	20	27	350
GN 31-60-M16-148-B3-W	60	M 16	148	24	16	4	45	45	29	3	12	20	27	388
GN 31-60-M16-148-B4-W	60	M 16	148	24	16	4	45	45	29	3	12	20	27	388
GN 31-60-M16-148-C3-W	60	M 16	148	24	16	4	45	45	29	3	12	20	27	388
GN 31-60-M16-148-C4-W	60	M 16	148	24	16	4	45	45	29	3	12	20	27	388
GN 31-60-M16-173-B1-W	60	M 16	173	24	16	4	45	45	29	3	12	20	27	400
GN 31-60-M16-173-B2-W	60	M 16	173	24	16	4	45	45	29	3	12	20	27	369
GN 31-60-M16-173-B3-W	60	M 16	173	24	16	4	45	45	29	3	12	20	27	400
GN 31-60-M16-173-B4-W	60	M 16	173	24	16	4	45	45	29	3	12	20	27	400
GN 31-60-M16-173-C3-W	60	M 16	173	24	16	4	45	45	29	3	12	20	27	400
GN 31-60-M16-173-C4-W	60	M 16	173	24	16	4	45	45	29	3	12	20	27	400
GN 31-60-M16-198-B1-W	60	M 16	198	24	16	4	45	45	29	3	12	20	27	469
GN 31-60-M16-198-B2-W	60	M 16	198	24	16	4	45	45	29	3	12	20	27	450
GN 31-60-M16-198-B3-W	60	M 16	198	24	16	4	45	45	29	3	12	20	27	469
GN 31-60-M16-198-B4-W	60	M 16	198	24	16	4	45	45	29	3	12	20	27	469
GN 31-60-M16-198-C3-W	60	M 16	198	24	16	4	45	45	29	3	12	20	27	469
GN 31-60-M16-198-C4-W	60	M 16	198	24	16	4	45	45	29	3	12	20	27	469
GN 31-80-M16-125-B1-W	80	M 16	125	24	18	5	45	45	29	3	12	20	24	485
GN 31-80-M16-125-B2-W	80	M 16	125	24	18	5	45	45	29	3	12	20	24	443
GN 31-80-M16-125-B3-W	80	M 16	125	24	18	5	45	45	29	3	12	20	24	485
GN 31-80-M16-125-B4-W	80	M 16	125	24	18	5	45	45	29	3	12	20	24	485
GN 31-80-M16-125-C3-W	80	M 16	125	24	18	5	45	45	29	3	12	20	24	485
GN 31-80-M16-125-C4-W	80	M 16	125	24	18	5	45	45	29	3	12	20	24	485
GN 31-80-M16-150-B1-W	80	M 16	150	24	18	5	45	45	29	3	12	20	24	494
GN 31-80-M16-150-B2-W	80	M 16	150	24	18	5	45	45	29	3	12	20	24	480
GN 31-80-M16-150-B3-W	80	M 16	150	24	18	5	45	45	29	3	12	20	24	494
GN 31-80-M16-150-B4-W	80	M 16	150	24	18	5	45	45	29	3	12	20	24	494
GN 31-80-M16-150-C3-W	80	M 16	150	24	18	5	45	45	29	3	12	20	24	494
GN 31-80-M16-150-C4-W	80	M 16	150	24	18	5	45	45	29	3	12	20	24	494
GN 31-80-M16-175-B1-W	80	M 16	175	24	18	5	45	45	29	3	12	20	24	540
GN 31-80-M16-175-B2-W	80	M 16	175	24	18	5	45	45	29	3	12	20	24	521
GN 31-80-M16-175-B3-W	80	M 16	175	24	18	5	45	45	29	3	12	20	24	540
GN 31-80-M16-175-B4-W	80	M 16	175	24	18	5	45	45	29	3	12	20	24	540



GN 31-X STAINLESS STEEL

Description	d1	d2	h1	h2	l7+4	s	A/F7	t	Static load in kN	
GN 31-50-M8-37-B1-X	50	M 8	14.5	3.5	37	3	14	8	110	
GN 31-50-M8-37-B2-X	50	M 8	14.5	3.5	37	3	14	8	98	
GN 31-50-M10-40-B1-X	50	M 10	14.5	3.5	40	3	14	10	113	
GN 31-50-M10-40-B2-X	50	M 10	14.5	3.5	40	3	14	10	100	
GN 31-50-M12-43-B1-X	50	M 12	14.5	3.5	43	3	17	12	20	120
GN 31-50-M12-43-B2-X	50	M 12	14.5	3.5	43	3	17	12	20	115
GN 31-50-M16-49-B1-X	50	M 16	14.5	3.5	49	3	22	16	28	140
GN 31-50-M16-49-B2-X	50	M 16	14.5	3.5	49	3	22	16	25	130
GN 31-60-M8-38-B1-X	60	M 8	16	4	38	3	14	8	8	150
GN 31-60-M8-38-B2-X	60	M 8	16	4	38	3	14	8	8	140
GN 31-60-M8-38-B3-X	60	M 8	16	4	38	3	14	8	8	150
GN 31-60-M8-38-B4-X	60	M 8	16	4	38	3	14	8	8	150
GN 31-60-M8-38-C3-X	60	M 8	16	4	38	3	14	8	8	150
GN 31-60-M8-38-C4-X	60	M 8	16	4	38	3	14	8	8	150
GN 31-60-M10-41-B1-X	60	M 10	16	4	41	3	14	10	13	152
GN 31-60-M10-41-B2-X	60	M 10	16	4	41	3	14	10	13	120
GN 31-60-M10-41-B3-X	60	M 10	16	4	41	3	14	10	13	152
GN 31-60-M10-41-B4-X	60	M 10	16	4	41	3	14	10	13	152
GN 31-60-M10-41-C3-X	60	M 10	16	4	41	3	14	10	13	152
GN 31-60-M10-41-C4-X	60	M 10	16	4	41	3	14	10	13	152
GN 31-60-M12-45-B1-X	60	M 12	16	4	45	3	17	12	20	160
GN 31-60-M12-45-B2-X	60	M 12	16	4	45	3	17	12	20	148
GN 31-60-M12-45-B3-X	60	M 12	16	4	45	3	17	12	20	160
GN 31-60-M12-45-B4-X	60	M 12	16	4	45	3	17	12	20	160
GN 31-60-M12-45-C3-X	60	M 12	16	4	45	3	17	12	20	160
GN 31-60-M12-45-C4-X	60	M 12	16	4	45	3	17	12	20	160
GN 31-60-M16-50-B1-X	60	M 16	16	4	50	3	22	16	28	267
GN 31-60-M16-50-B2-X	60	M 16	16	4	50	3	22	16	25	240
GN 31-60-M16-50-B3-X	60	M 16	16	4	50	3	22	16	28	267
GN 31-60-M16-50-B4-X	60	M 16	16	4	50	3	22	16	25	267
GN 31-60-M16-50-C3-X	60	M 16	16	4	50	3	22	16	28	267
GN 31-60-M16-50-C4-X	60	M 16	16	4	50	3	22	16	25	267
GN 31-80-M8-40-B1-X	80	M 8	18	5	40	3	14	8	8	377
GN 31-80-M8-40-B2-X	80	M 8	18	5	40	3	14	8	8	334
GN 31-80-M8-40-B3-X	80	M 8	18	5	40	3	14	8	8	377
GN 31-80-M8-40-B4-X	80	M 8	18	5	40	3	14	8	8	377
GN 31-80-M8-40-C3-X	80	M 8	18	5	40	3	14	8	8	377
GN 31-80-M8-40-C4-X	80	M 8	18	5	40	3	14	8	8	377

GN 31-X STAINLESS STEEL

Description	d1	d2	h1	h2	l7+4	s	A/F7	t	Static load in kN	
GN 31-80-M10-43-B1-X	80	M 10	18	5	43	3	14	10	13	390
GN 31-80-M10-43-B2-X	80	M 10	18	5	43	3	14	10	13	380
GN 31-80-M10-43-B3-X	80	M 10	18	5	43	3	14	10	13	390
GN 31-80-M10-43-B4-X	80	M 10	18	5	43	3	14	10	13	390
GN 31-80-M10-43-C3-X	80	M 10	18	5	43	3	14	10	13	390
GN 31-80-M10-43-C4-X	80	M 10	18	5	43	3	14	10	13	390
GN 31-80-M12-47-B1-X	80	M 12	18	5	47	3	17	12	15	410
GN 31-80-M12-47-B2-X	80	M 12	18	5	47	3	17	12	15	385
GN 31-80-M12-47-B3-X	80	M 12	18	5	47	3	17	12	15	410
GN 31-80-M12-47-B4-X	80	M 12	18	5	47	3	17	12	15	410
GN 31-80-M12-47-C3-X	80	M 12	18	5	47	3	17	12	15	410
GN 31-80-M12-47-C4-X	80	M 12	18	5	47	3	17	12	15	410
GN 31-80-M16-52-B1-X	80	M 16	18	5	52	3	22	16	19	430
GN 31-80-M16-52-B2-X	80	M 16	18	5	52	3	22	16	15	390
GN 31-80-M16-52-B3-X	80	M 16	18	5	52	3	22	16	19	430
GN 31-80-M16-52-B4-X	80	M 16	18	5	52	3	22	16	15	430
GN 31-80-M16-52-C3-X	80	M 16	18	5	52	3	22	16	19	430
GN 31-80-M16-52-C4-X	80	M 16	18	5	52	3	22	16	15	430
GN 31-80-M20-60-B1-X	80	M 20	18	5	60	3	27	20	19	460
GN 31-80-M20-60-B2-X	80	M 20	18	5	60	3	27	20	15	440
GN 31-80-M20-60-B3-X	80	M 20	18	5	60	3	27	20	19	460
GN 31-80-M20-60-B4-X	80	M 20	18	5	60	3	27	20	15	460
GN 31-80-M20-60-C3-X	80	M 20	18	5	60	3	27	20	19	460
GN 31-80-M20-60-C4-X	80	M 20	18	5	60	3	27	20	15	460
GN 31-100-M8-42-B1-X	100	M 8	20	6	42	3	14	8	8	500
GN 31-100-M8-42-B2-X	100	M 8	20	6	42	3	14	8	8	480
GN 31-100-M8-42-B3-X	100	M 8	20	6	42	3	14	8	8	500
GN 31-100-M8-42-B4-X	100	M 8	20	6	42	3	14	8	8	500
GN 31-100-M8-42-C3-X	100	M 8	20	6	42	3	14	8	8	500
GN 31-100-M8-42-C4-X	100	M 8	20	6	42	3	14	8	8	500
GN 31-100-M10-45-B1-X	100	M 10	20	6	45	3	14	10	13	520
GN 31-100-M10-45-B2-X	100	M 10	20	6	45	3	14	10	13	490
GN 31-100-M10-45-B3-X	100	M 10	20	6	45	3	14	10	13	520
GN 31-100-M10-45-B4-X	100	M 10	20	6	45	3	14	10	13	520
GN 31-100-M10-45-C3-X	100	M 10	20	6	45	3	14	10	13	520
GN 31-100-M10-45-C4-X	100	M 10	20	6	45	3	14	10	13	520
GN 31-100-M12-49-B1-X	100	M 12	20	6	49	3	17	12	17	550
GN 31-100-M12-49-B2-X	100	M 12	20	6	49	3	17	12	14	530
GN 31-100-M12-49-B3-X	100	M 12	20	6	49	3	17	12	17	550
GN 31-100-M12-49-B4-X	100	M 12	20	6	49	3	17	12	14	550
GN 31-100-M12-49-C3-X	100	M 12	20	6	49	3	17	12	17	550
GN 31-100-M12-49-C4-X	100	M 12	20	6	49	3	17	12	14	550
GN 31-100-M16-54-B1-X	100	M 16	20	6	54	3	22	16	17	590
GN 31-100-M16-54-B2-X	100	M 16	20	6	54	3	22	16	14	580
GN 31-100-M16-54-B3-X	100	M 16	20	6	54	3	22	16	17	590
GN 31-100-M16-54-B4-X	100	M 16	20	6	54	3	22	16	14	590
GN 31-100-M16-54-C3-X	100	M 16	20	6	54	3	22	16	17	590
GN 31-100-M16-54-C4-X	100	M 16	20	6	54	3	22	16	14	590
GN 31-100-M20-62-B1-X	100	M 20	20	6	62	3	27	20	17	600
GN 31-100-M20-62-B2-X	100	M 20	20	6	62	3	27	20	14	585
GN 31-100-M20-62-B3-X	100	M 20	20	6	62	3	27	20	17	600
GN 31-100-M20-62-B4-X	100	M 20	20	6	62	3	27	20	14	600
GN 31-100-M20-62-C3-X	100	M 20	20	6	62	3	27	20	17	600
GN 31-100-M20-62-C4-X	100	M 20	20	6	62	3	27	20	14	600
GN 31-120-M20-65-B1-X	120	M 20	22	6	62	4	27	20	25	800
GN 31-120-M20-65-B2-X	120	M 20	22	6	62	4	27	20	22	680